

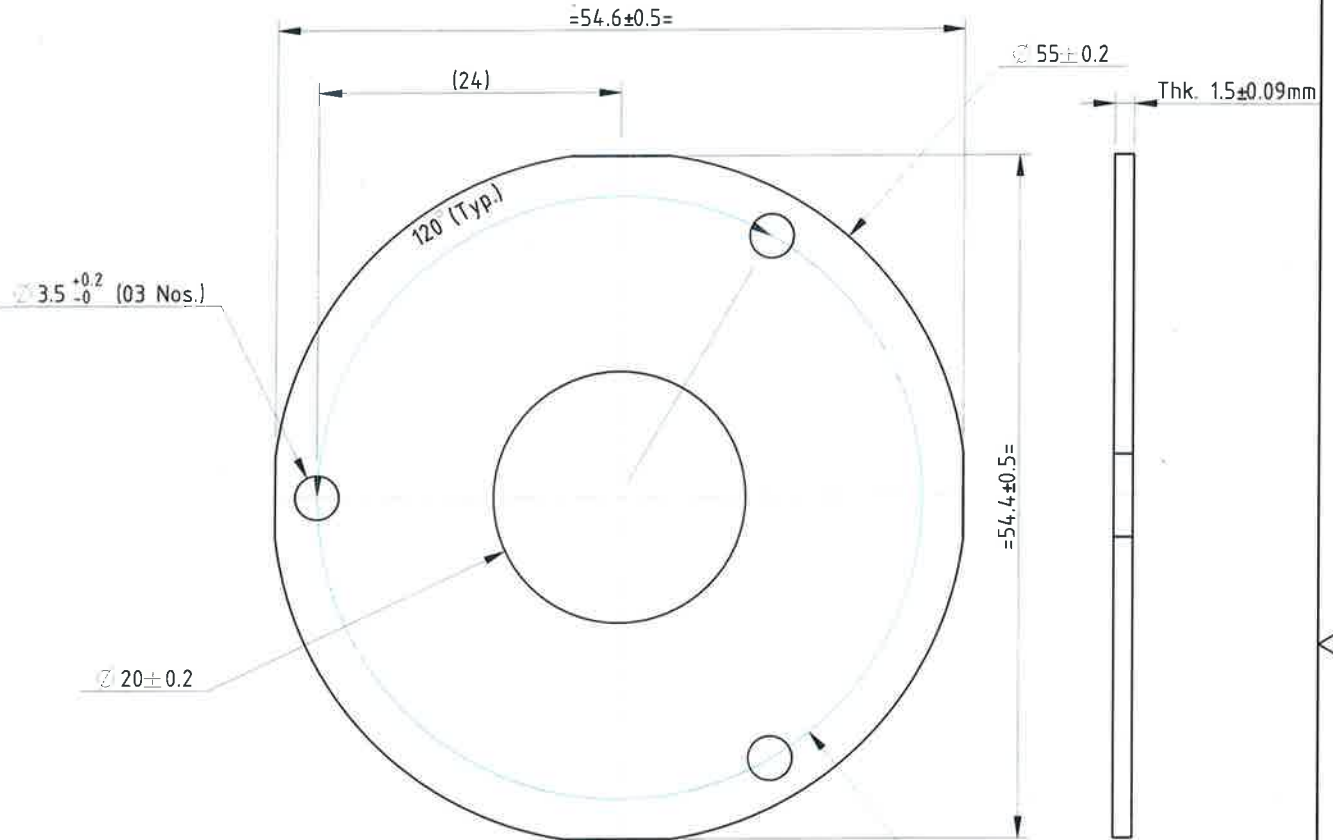
IF ANY DOUBT, PLEASE ASK



3D VIEW

PERMISSIBLE DEVIATION FOR LINEAR DIMENSIONS EXCEPT FOR BROKEN EDGES (IS-2102)						
Tolerance Class		Permissible Deviation For Basic Size Range				
Designation	Description	0.5 Up to 3	Over 3 Up to 6	Over 6 Up to 30	Over 30 Up to 120	Over 120 Up to 400
C	coarse	±0.2	±0.3	±0.5	±0.8	±1.2
PERMISSIBLE DEVIATION FOR LINEAR DIMENSIONS FOR BROKEN EDGES						
Tolerance Class		Permissible Deviation For Basic Size Range				
C	coarse	±0.4	±1	±2	±2	±2
Tolerance Class		Permissible For Ranges Of Length, In millimeters, Of The Shorter Side Of The Angle Concerned				
C	coarse	±1°30'	±1°	±0°30'	±0°15'	±0°10'

Sheet 1/2 : Mechanical Dimensions



NOTES:-

- MAJOR DIMENSION TO BE MAINTAINED
- COMPONENT SHOULD BE FREE FROM BURR, CRACK, DENT & OTHER DEFECTS.

PCD Ø24 ± 0.1 mm



REV. NO	ECN NO.	DESCRIPTION OF CHANGES		DATE	DESIGN BY	CHECKED BY	APPROVED BY
PROJECTION		SCALE: NTS	MATERIAL / GRADE / SPEC.	19/07/22	N.SOM		
FINISHING / TREATMENT :		CEM-1		UNSPECIFIED TOLERANCES : AS PER IS 2102(Part-1)(coarse)			
COLOR :	QTY/ASSY : 01			ALL DIMENSIONS ARE IN MM. Critical To Quality Characteristic (CTQ)			
NET WEIGHT. : Kg	PRODUCT:	9 WATT B22 RECHARGEABLE LED BULB		EMDET ENGINEERS PVT. LTD. UNIT-2 PLOT NO-30,1/A, HSIIDC, INDUSTRIAL AREA, DHARUHERA, REWARI-123106 HARYANA, INDIA			
SURFACE AREA: cm ²	NAME :	PCB					
BRAND :	DRAWING. NO. :	EP24037					
REV. NO :	ISSUE NO : 01						
SHEET 1/2	FORMAT A4						

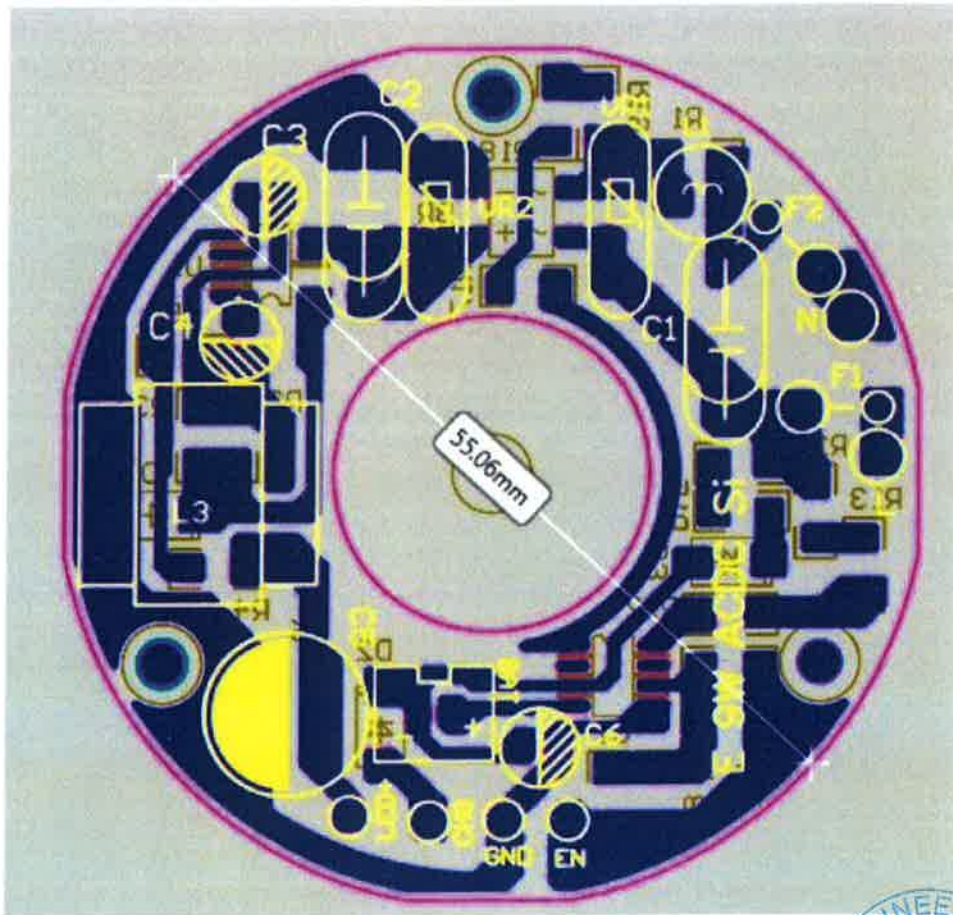
Do not scale the drawing unless otherwise specified. Refer 3d cad model for more information.

IF ANY DOUBT, PLEASE ASK


Do not scale the drawing unless otherwise specified. Refer 3d cad model for more information.

PERMISSIBLE DEVIATION FOR LINEAR DIMENSIONS EXCEPT FOR BROKEN EDGES (IS-2102)						
Tolerance Class		Permissible Deviation For Basic Size Range				
Designation	Description	0.5 Up to 3	Over 3 Up to 6	Over 6 Up to 30	Over 30 Up to 120	Over 120 Up to 400
m	medium	±0.1	±0.1	±0.2	±0.3	±0.5
PERMISSIBLE DEVIATION FOR LINEAR DIMENSIONS FOR BROKEN EDGES						
Tolerance Class		Permissible Deviation For Basic Size Range				
m	fine medium	±0.05	±0.05	±0.1	-	-
PERMISSIBLE DEVIATIONS OF ANGULAR DIMENSIONS						
Tolerance Class		Permissible For Ranges Of Length, In millimeters, Of The Shorter Side Of The Angle Concerned				
m	fine medium	±1°	±0°30'	±0°20'	±0°10'	±0°5'

Sheet 2/2 : Printed Circuit Board





NOTES:-

1.  MAJOR DIMENSION TO BE MAINTAINED
2. COMPONENT SHOULD BE FREE FROM BURR, CRACK, DENT & OTHER DEFECTS.

3.PCB-9W- Rechargeable-φ55x1.5mm-CEM-1-Single Layer-Cu 25micron



REV. NO	ECN NO.	DESCRIPTION OF CHANGES		DATE	DESIGN BY	CHECKED BY	APPROVED BY
		PROJECTION 	SCALE: NTS.	MATERIAL / GRADE / SPEC.	20/07/22	N.SOM	
		FINISHING / TREATMENT :		UNSPECIFIED TOLERANCES :			
				AS PER IS 2102 (Part){coarse}			
		COLOR :	QTY/ASSY : 01	ALL DIMENSIONS ARE IN MM.  Critical To Quality Characteristic (CTQ)			
		NET WEIGHT, Kg	PRODUCT:	9 WATT RECHARGEABLE LED BULB			
		SURFACE AREA: cm ²					
		BRAND :	NAME :	PCB			
REV. NO :	ISSUE NO : 01	DRAWING. NO. :		EP24037			
SHEET 2/2	FORMAT : A4						
				EMDET ENGINEERS PVT. LTD.			
				UNIT-2 PLOT NO-30,1/A, HSIIDC, INDUSTRIAL AREA, DHARUHERA, REWARI-123106 HARYANA, INDIA			