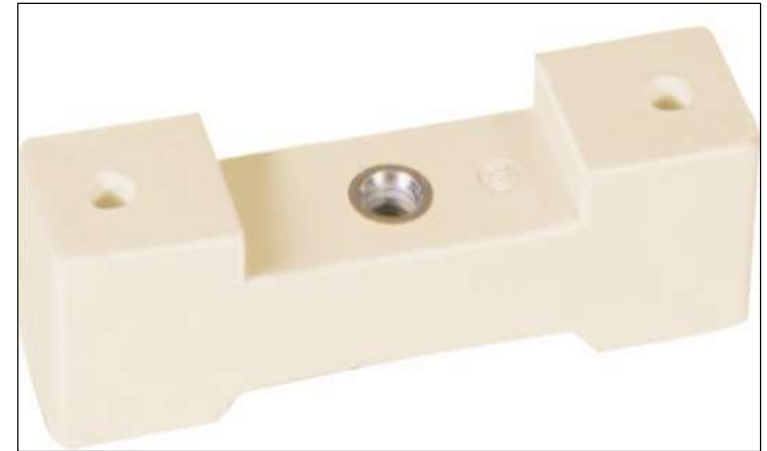
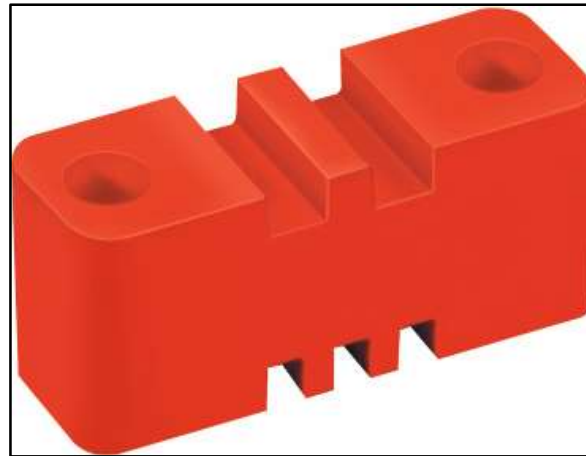
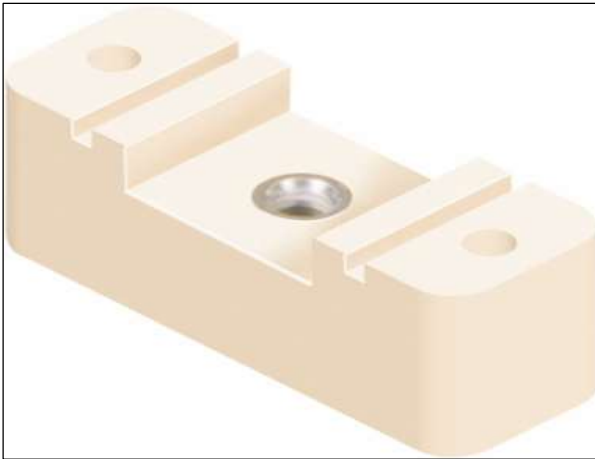


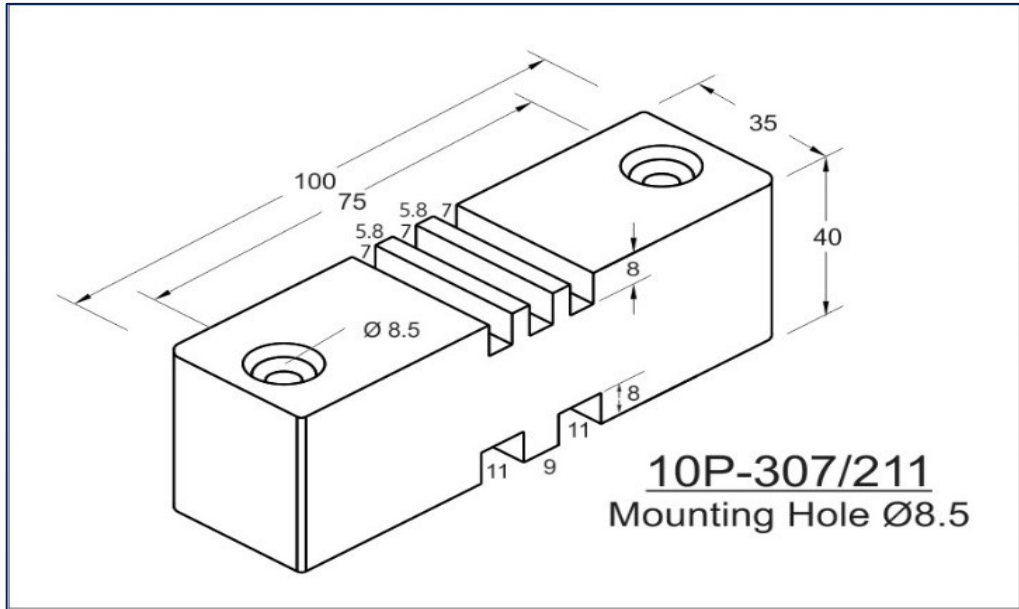
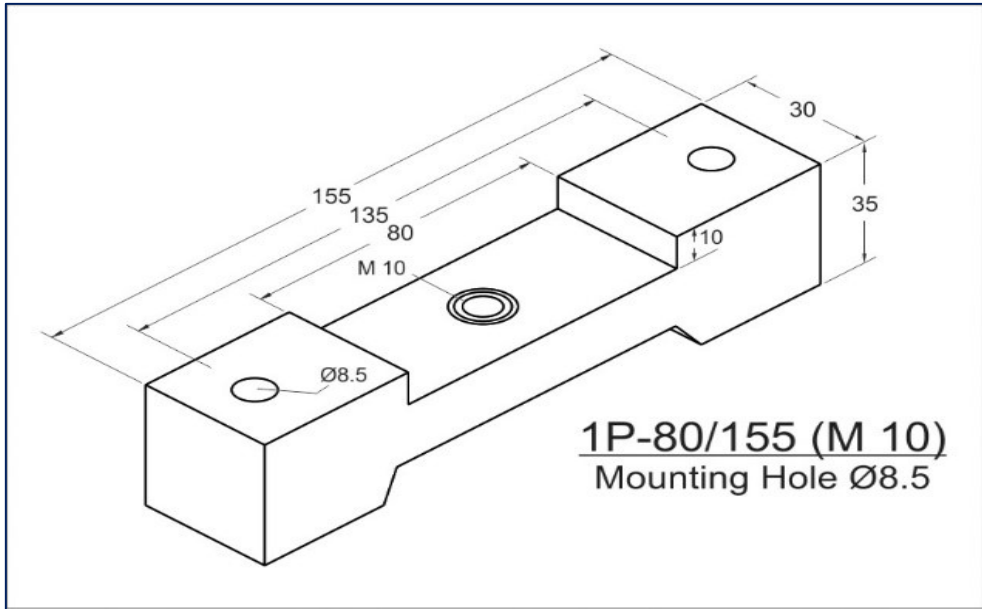
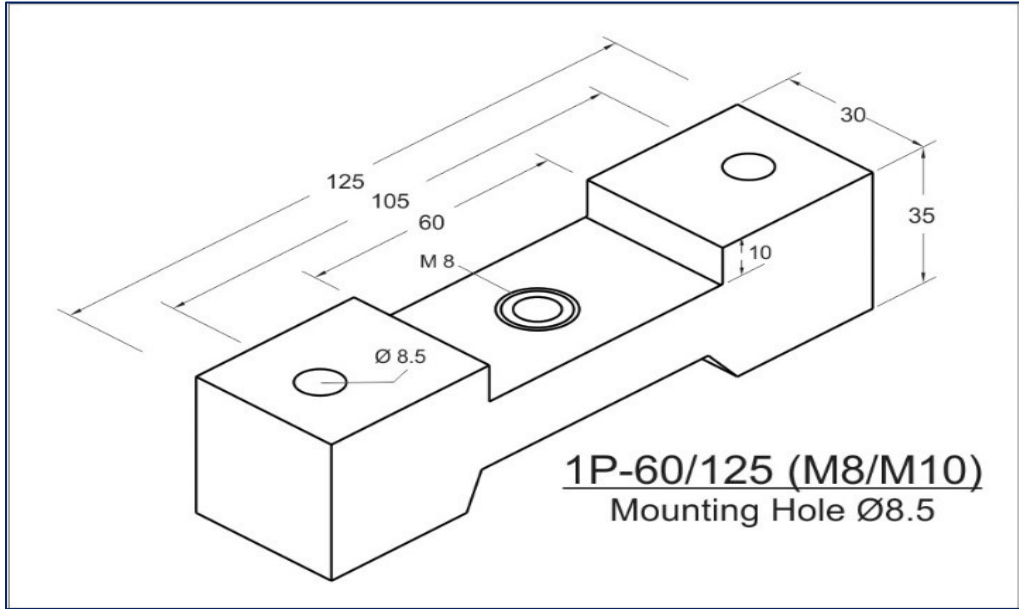
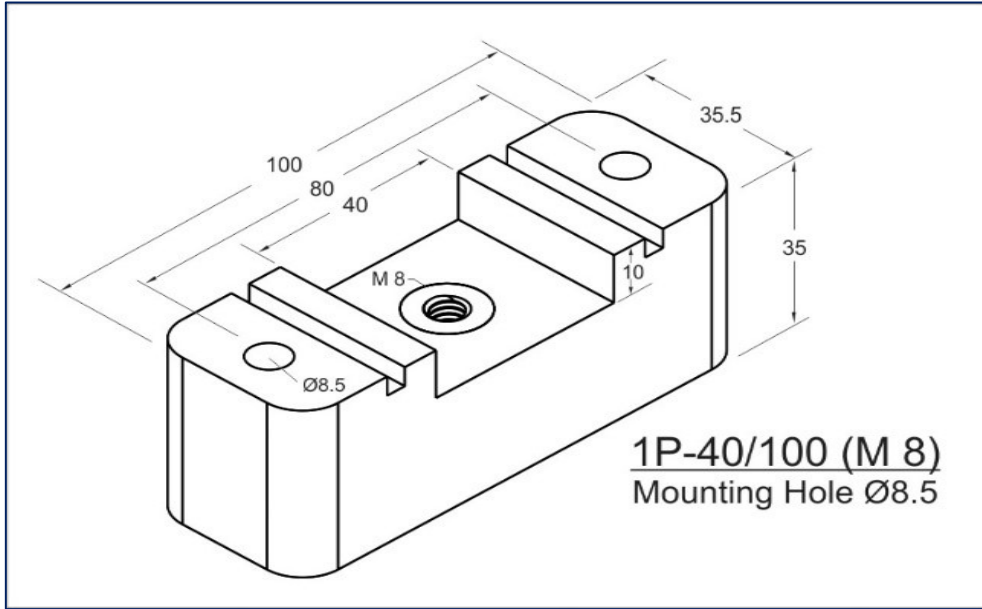
Horizontal/Vertical Busbar Supports

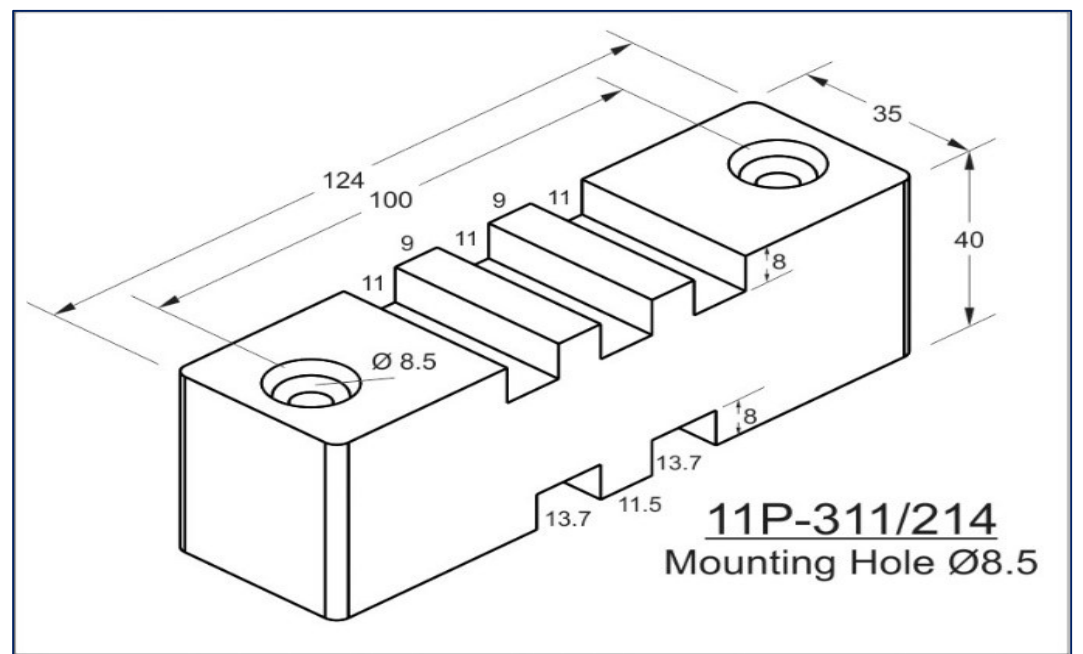
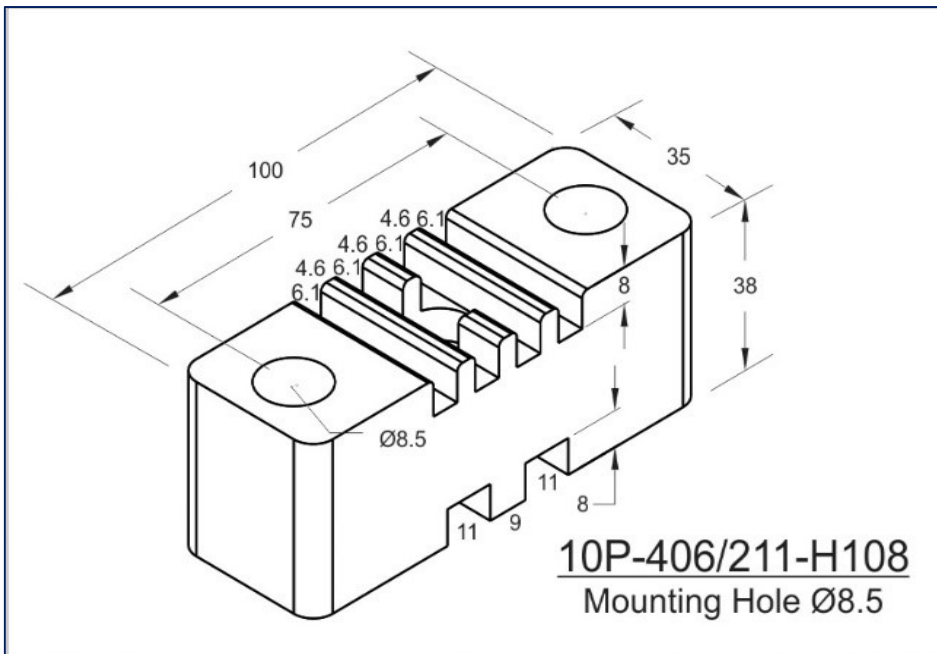
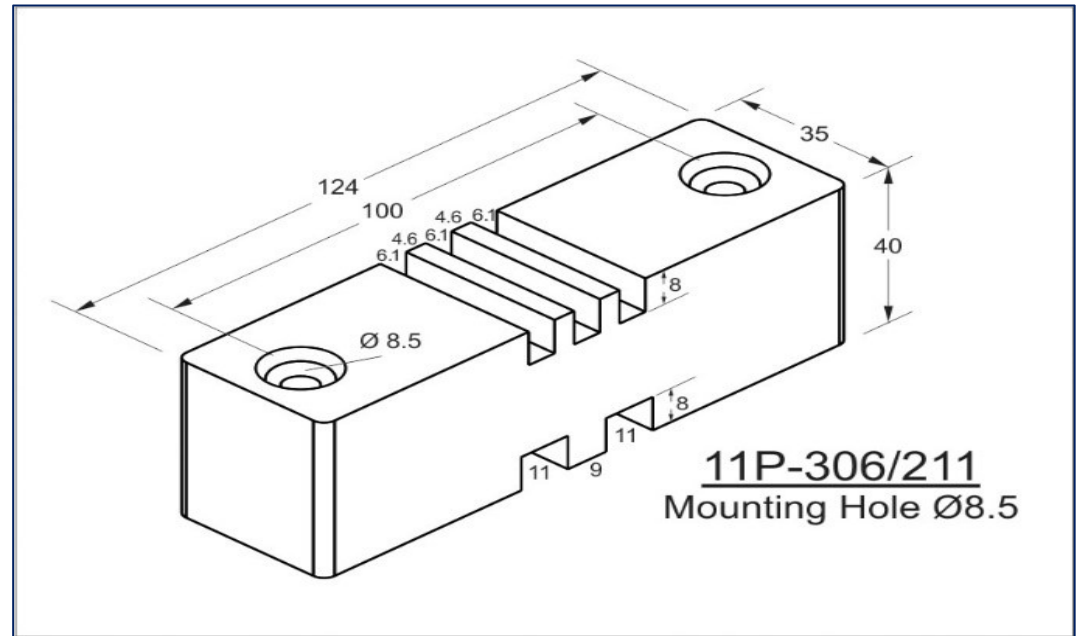
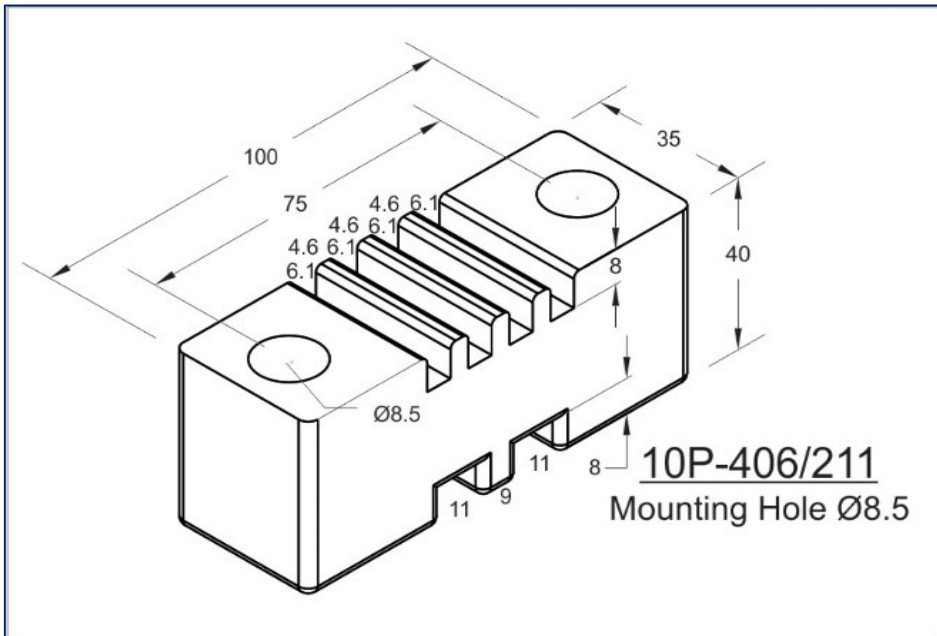
Horizontal & Vertical type Busbar Support offers versatile solution for higher short circuit rating and can hold Single Run to Multiple Runs of 6.0mm, 10mm & 12mm Busbars. HV Supports provides solution for holding Horizontal & Vertical Dropper Busbars.

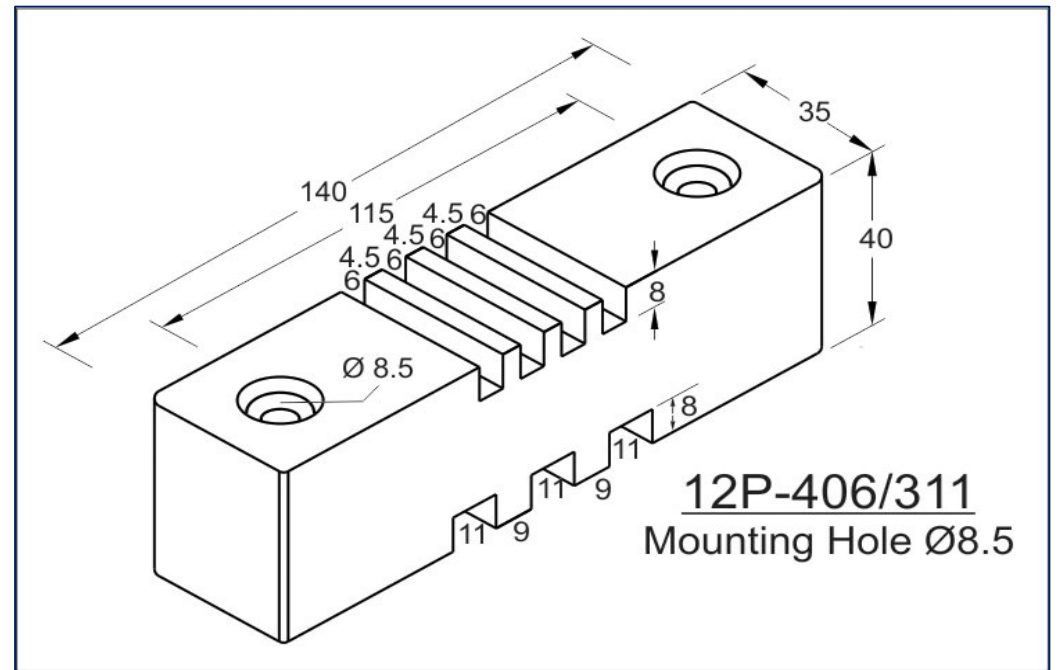
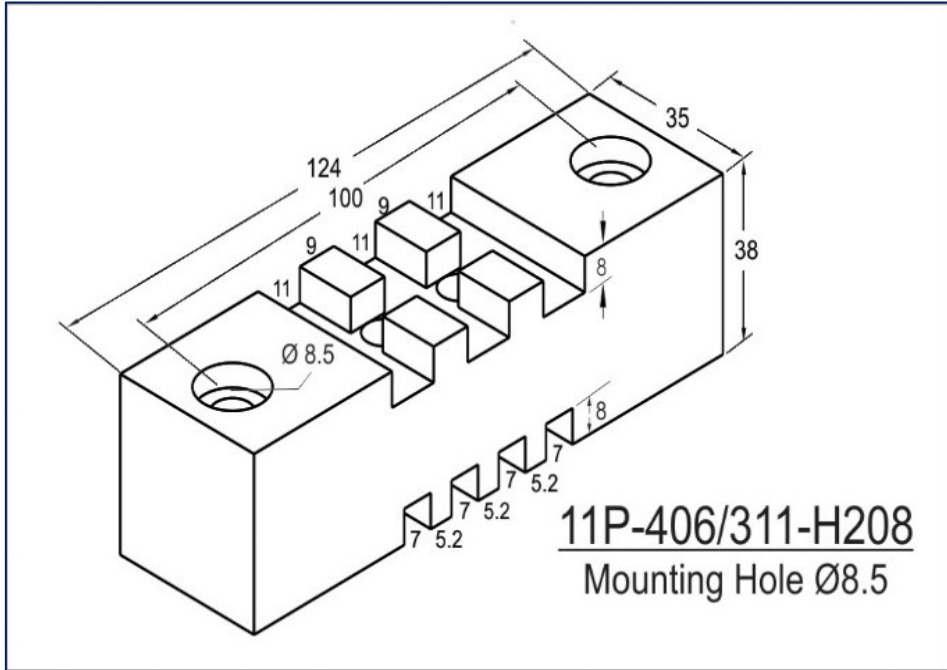
Our Busbar Supports are moulded from a flame retardant and track resistance glass reinforced Thermoset Polyester compound recognized to use for current carrying devices under UL Material Recognition No. E249670.

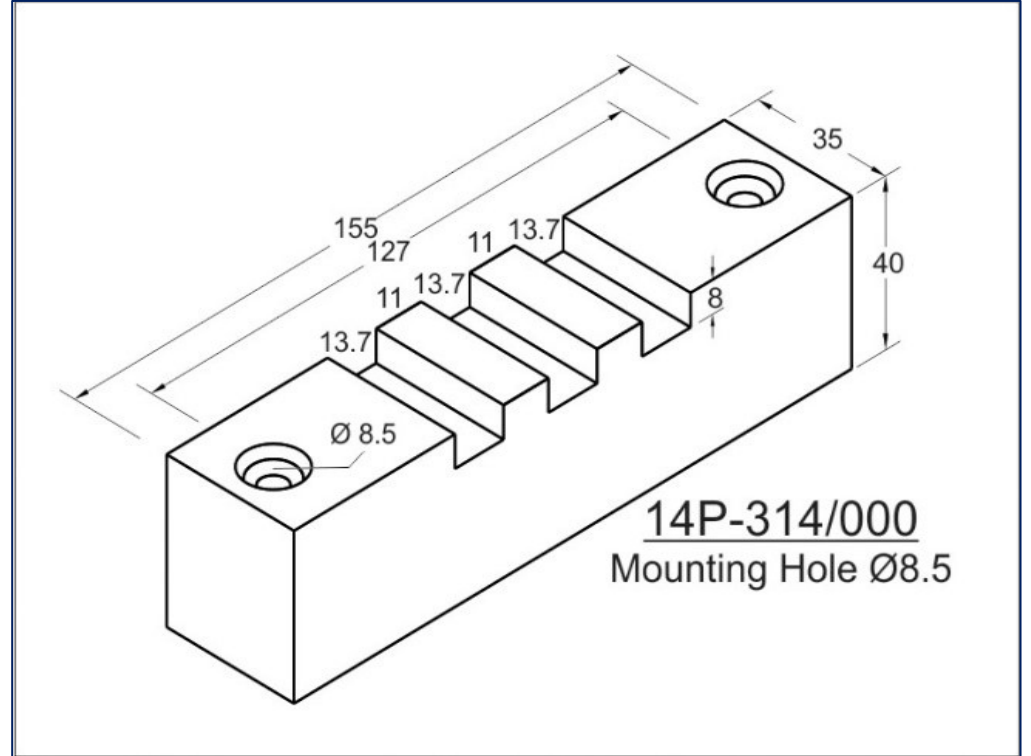
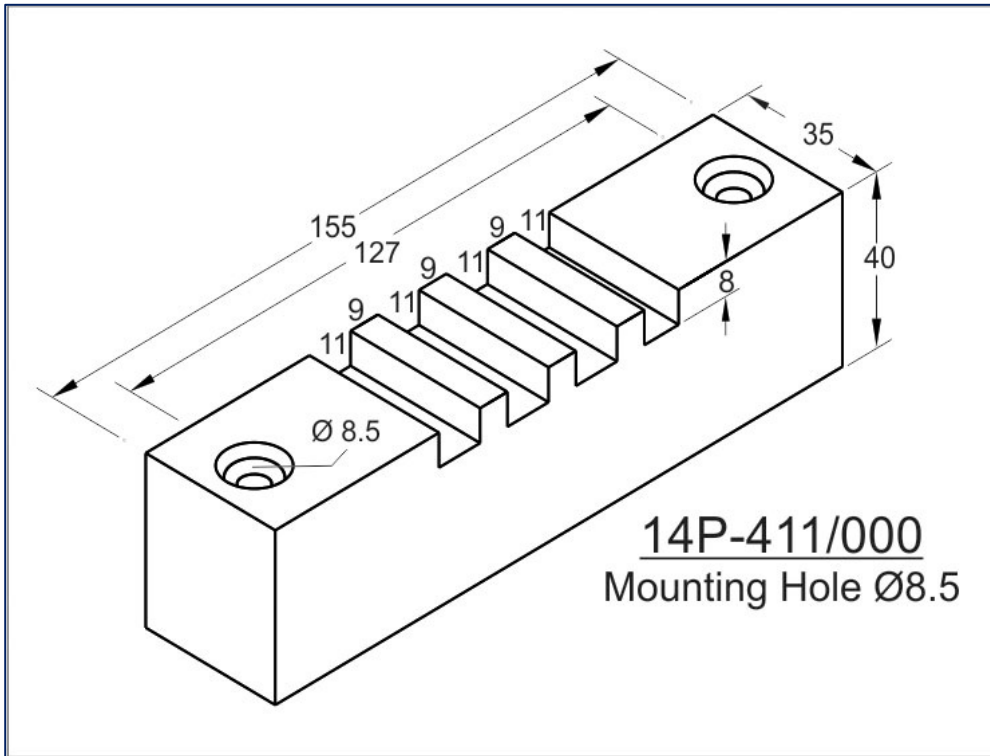
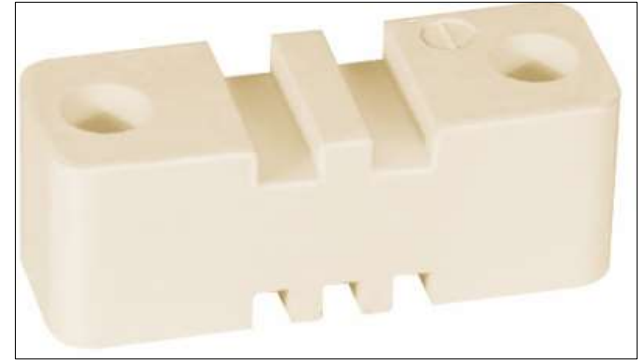
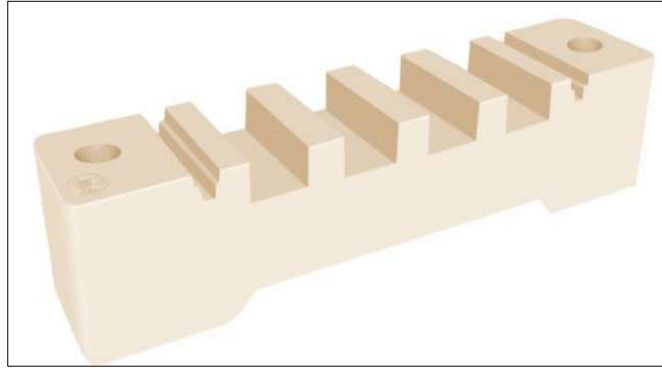
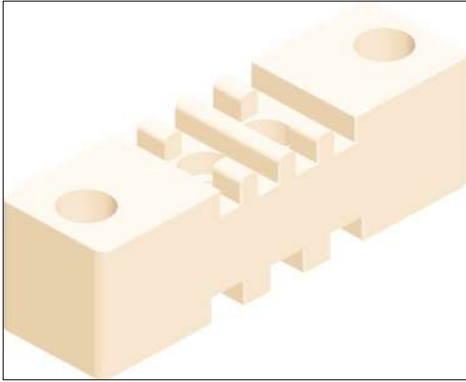
- Glow Wire Test - 960 °C
- Self-Extinguishing, UL 94 V0 Rated
- Non-Hygroscopic Material
- Halogen Free
- Operating Temperature range from (-) 40°C to 130°C.

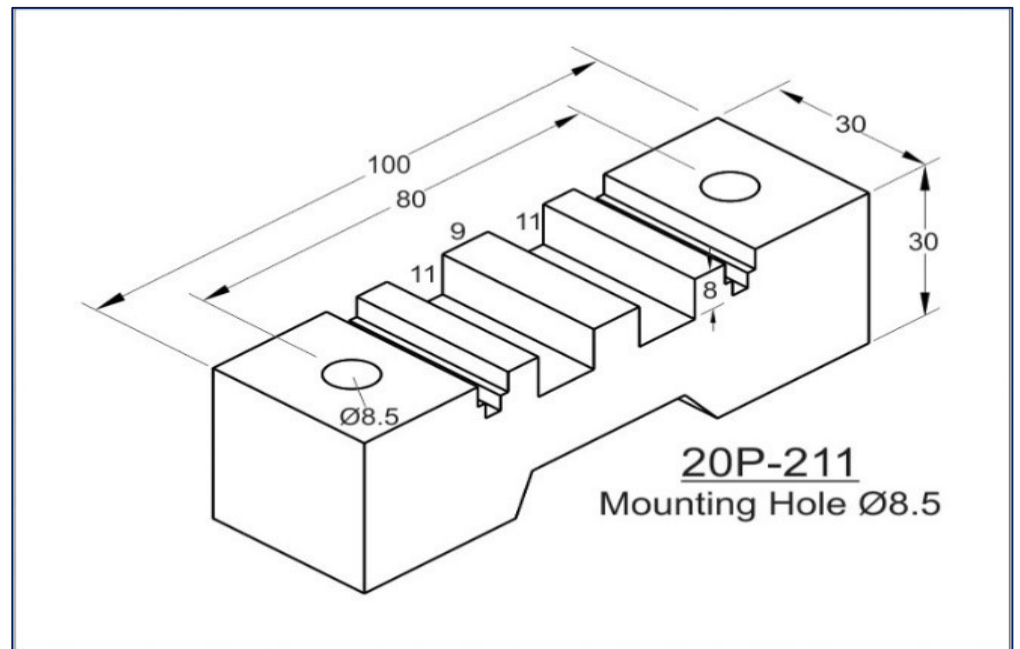
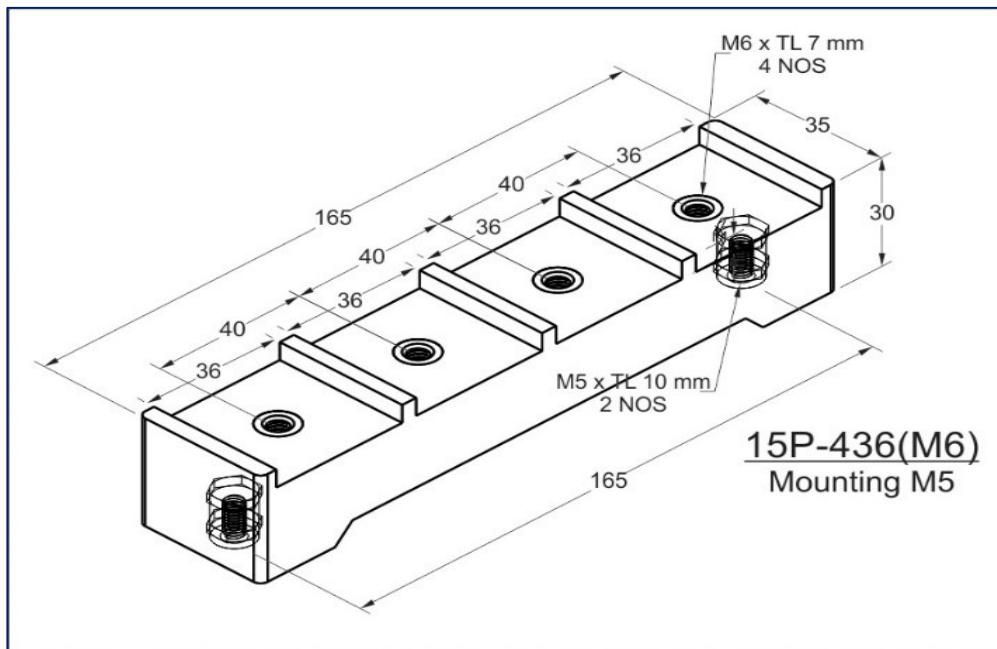
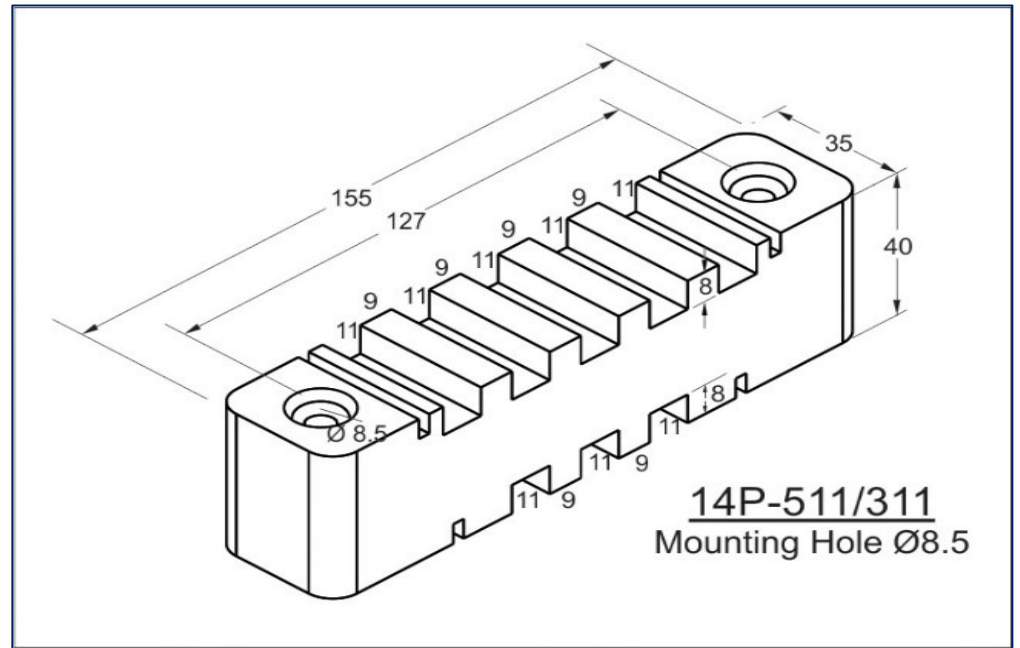
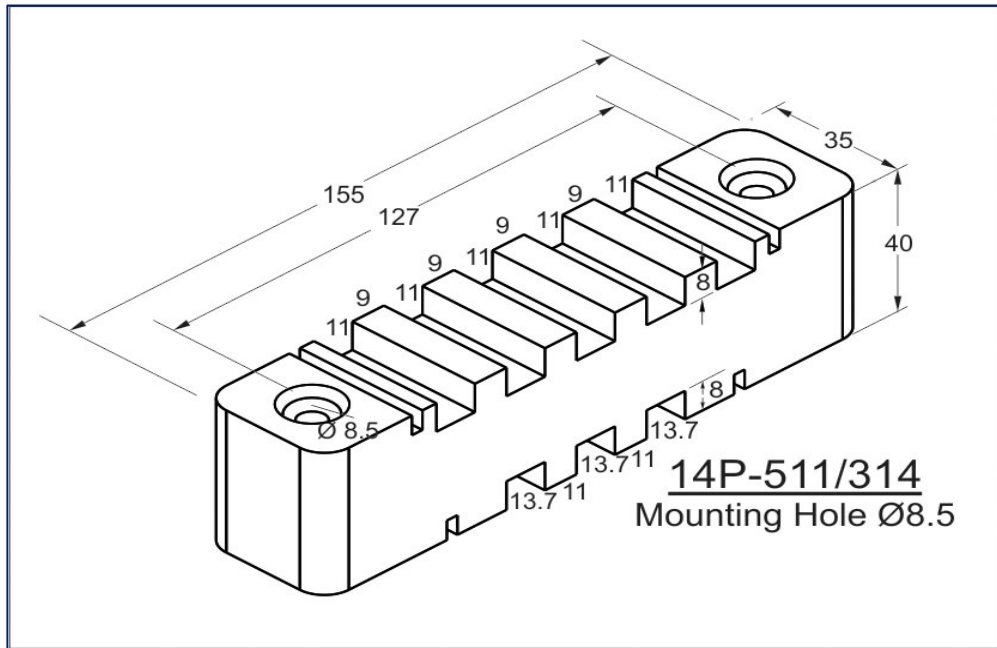


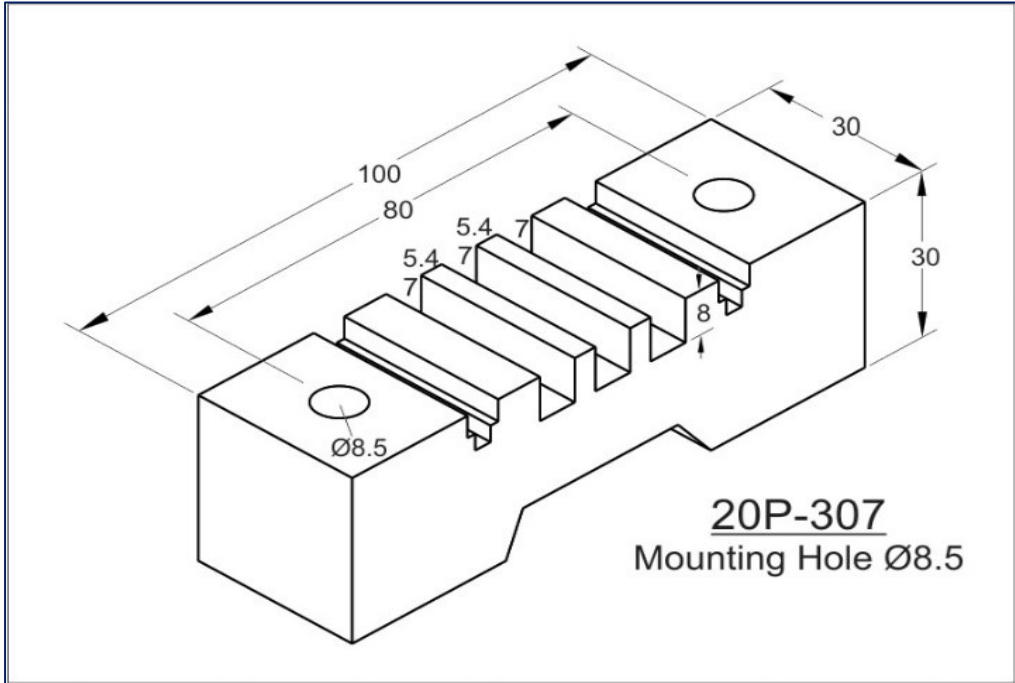
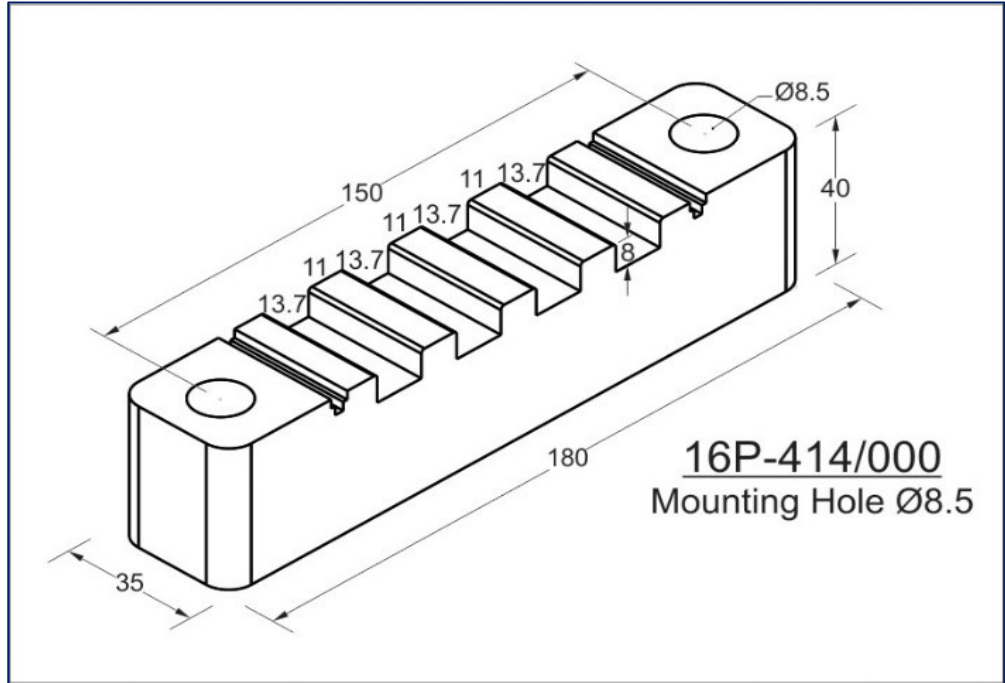


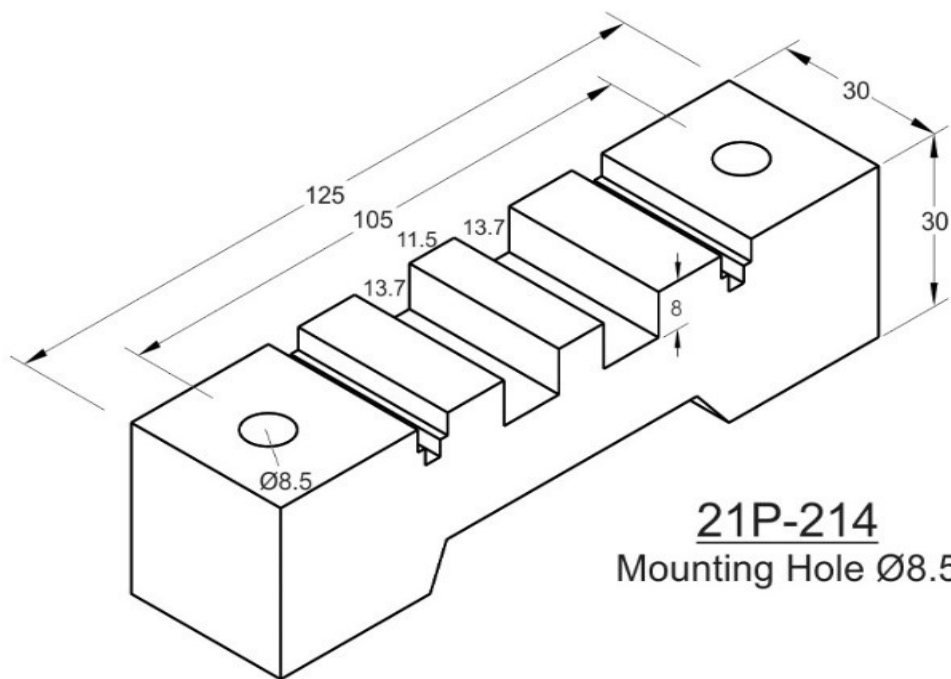
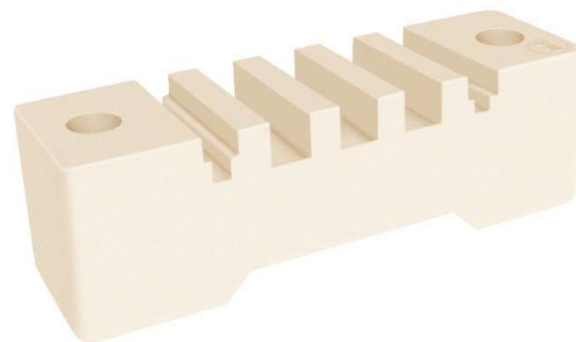
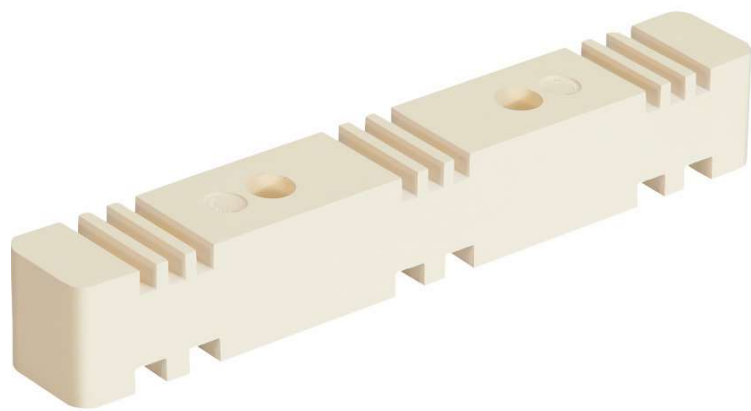




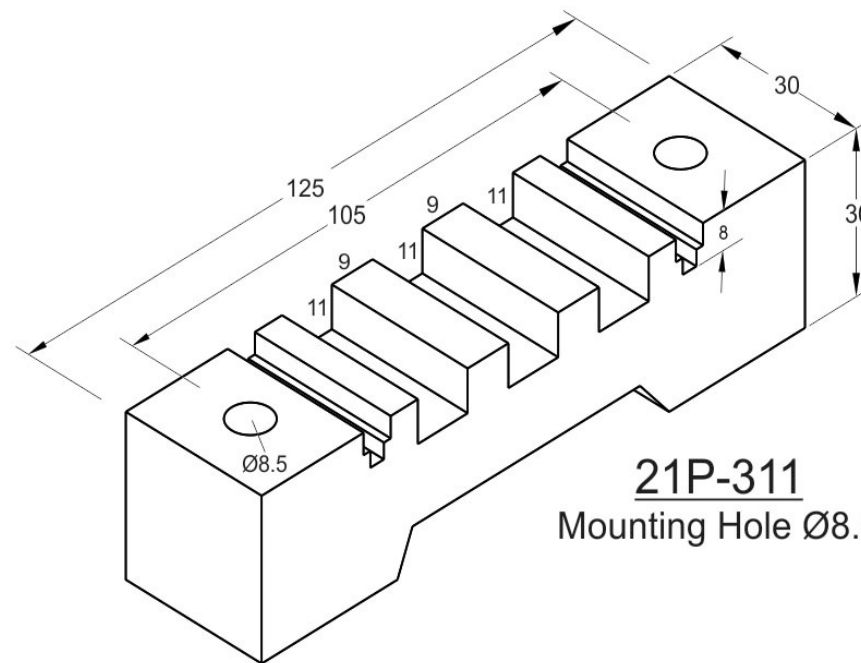




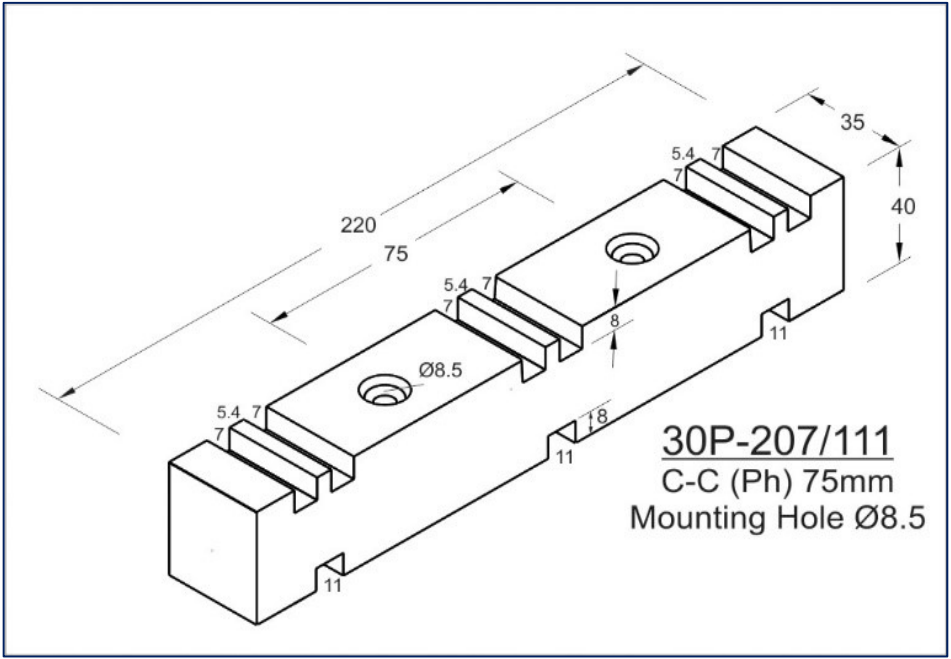
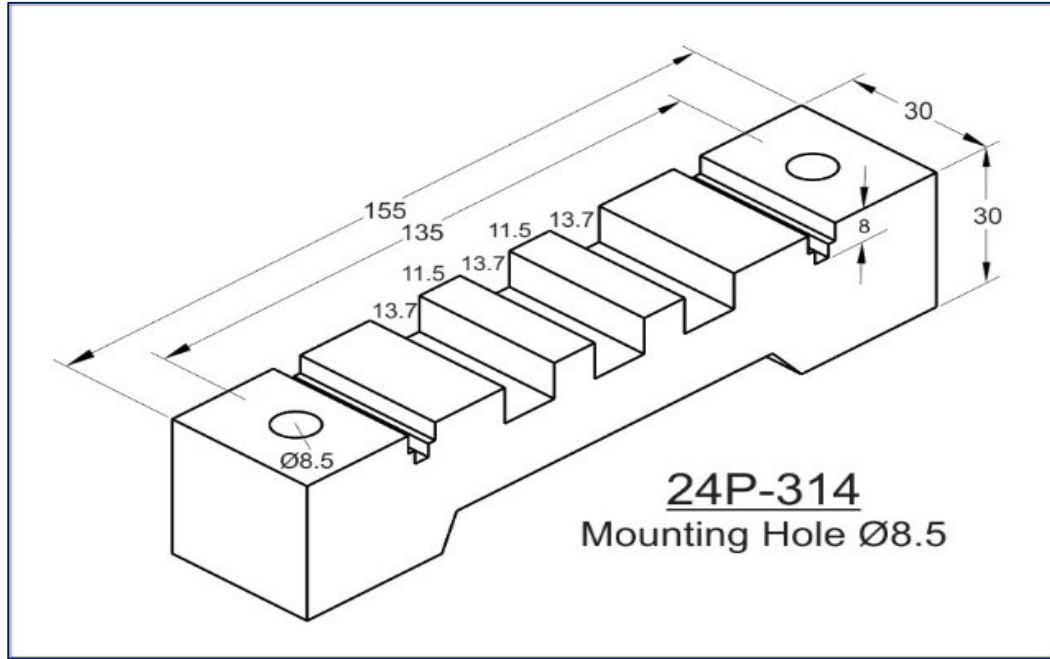
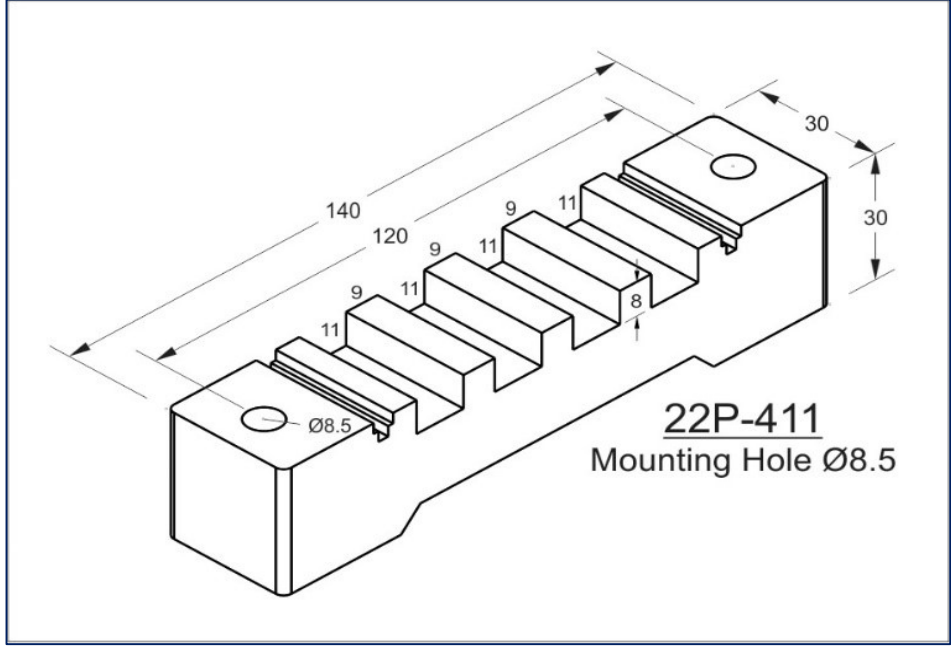
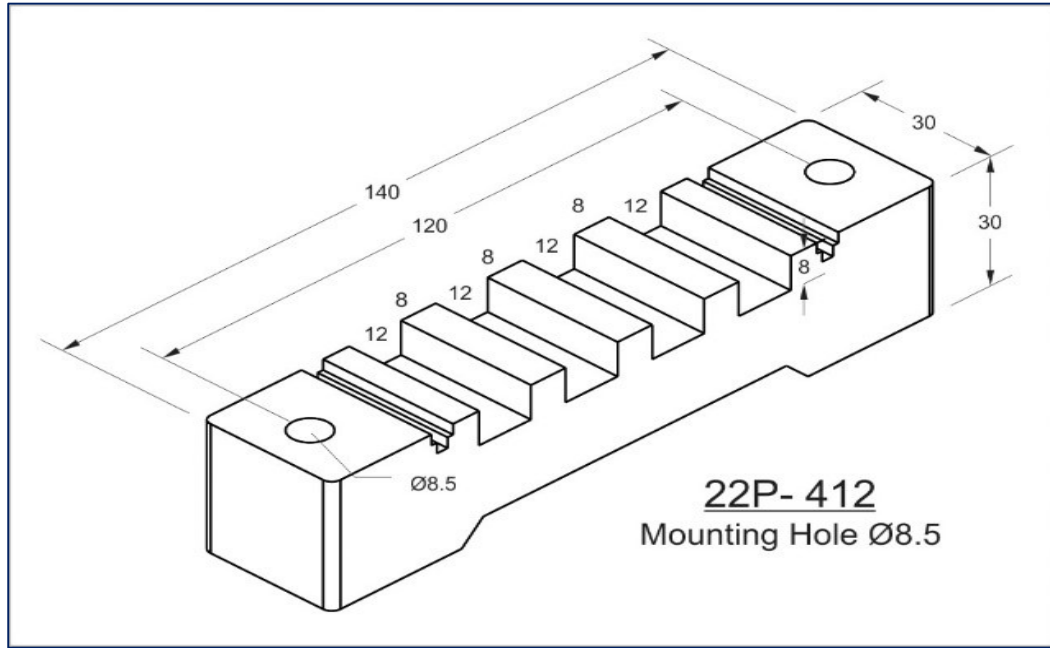


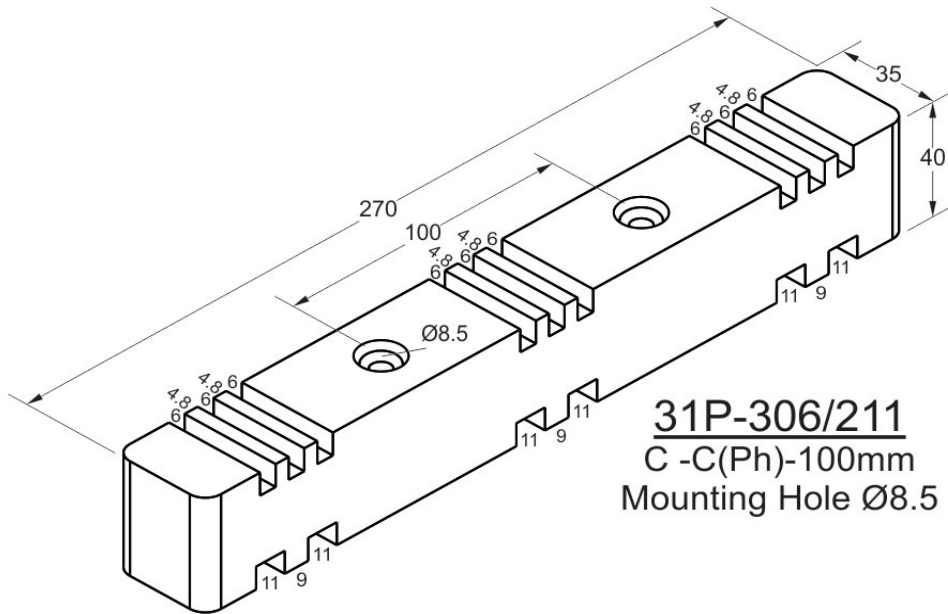
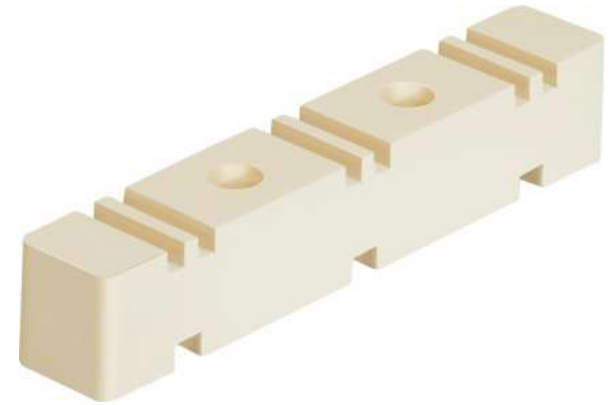
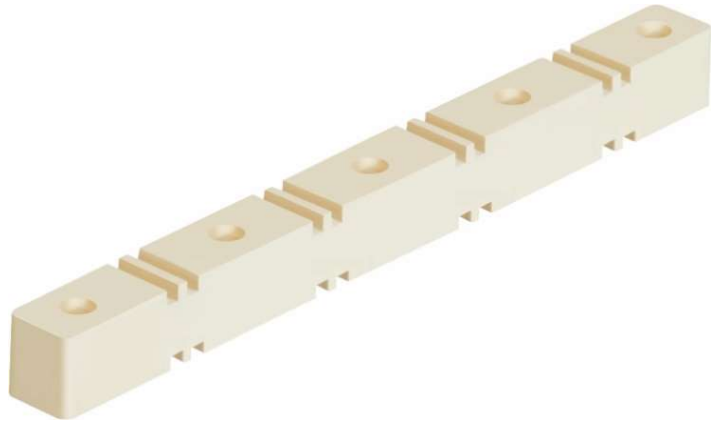


21P-214
Mounting Hole $\text{Ø}8.5$

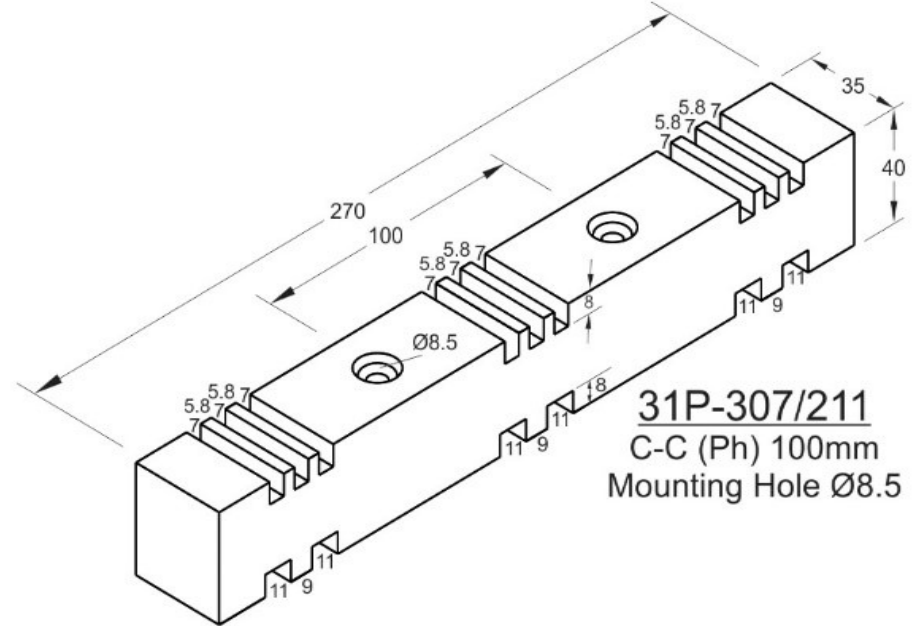


21P-311
Mounting Hole $\text{Ø}8.5$

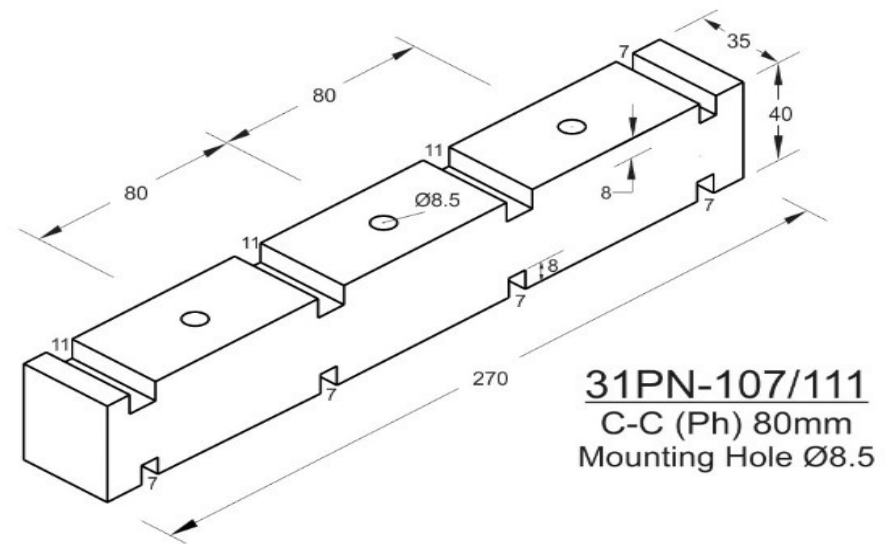
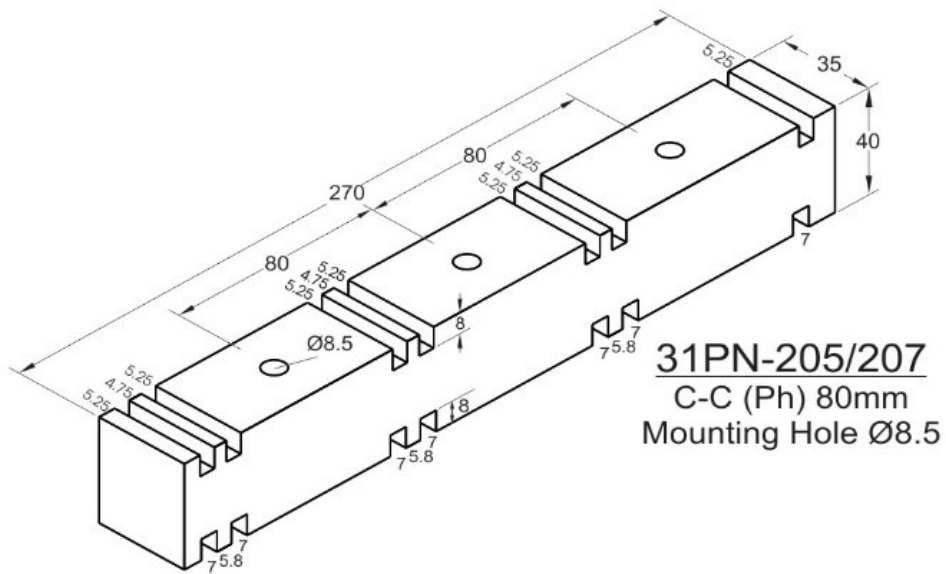
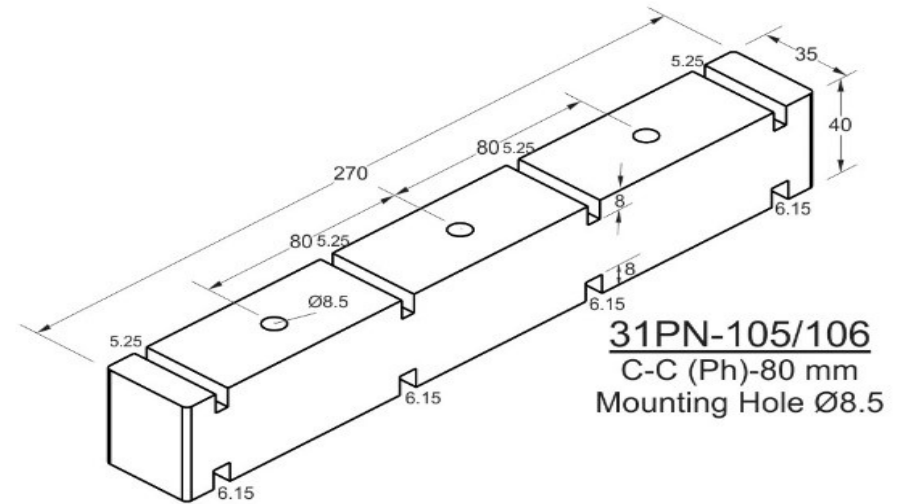
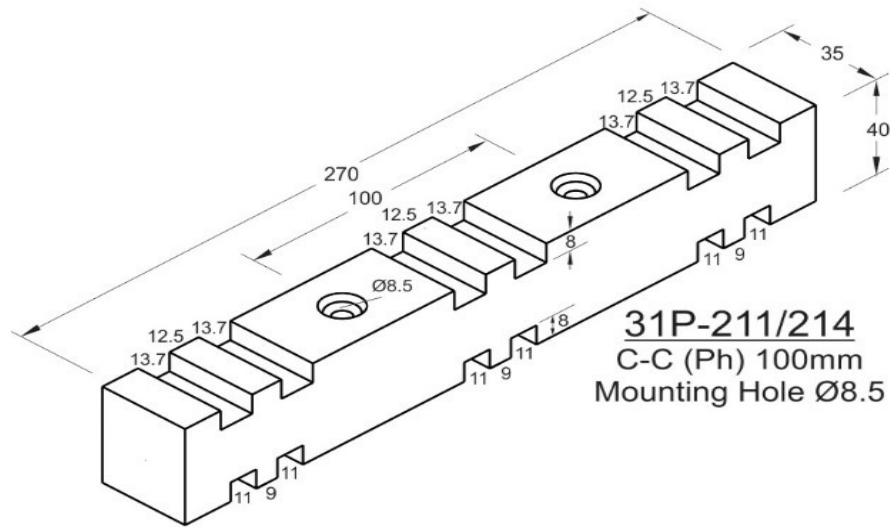


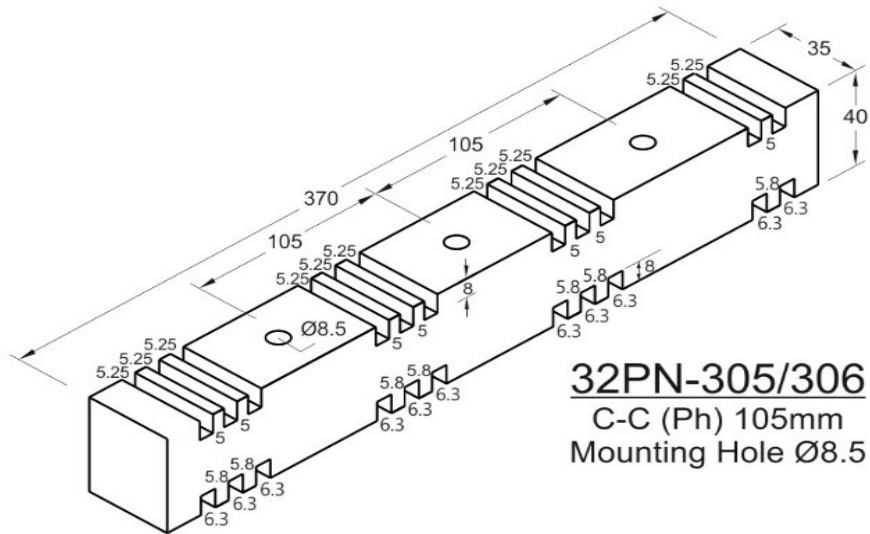
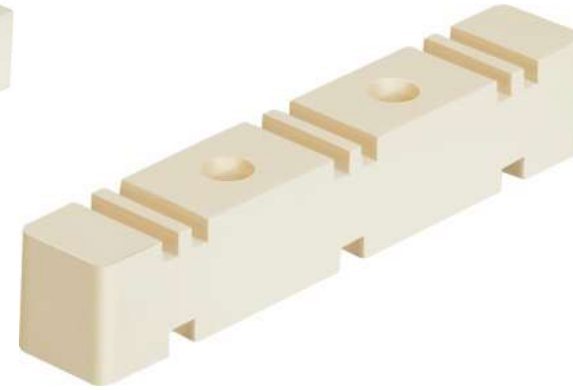
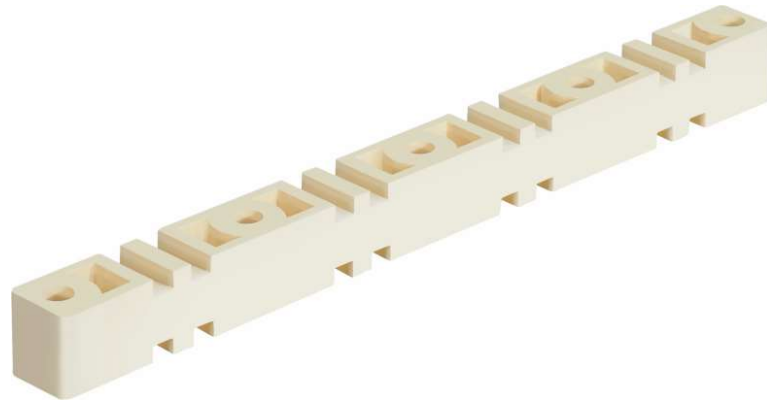


31P-306/211
 C -C(Ph)-100mm
 Mounting Hole $\text{Ø}8.5$

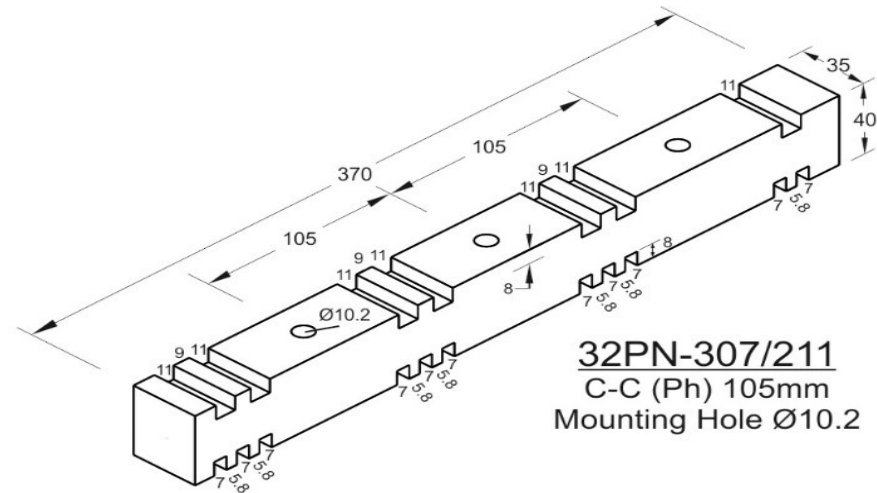


31P-307/211
 C-C (Ph) 100mm
 Mounting Hole $\text{Ø}8.5$

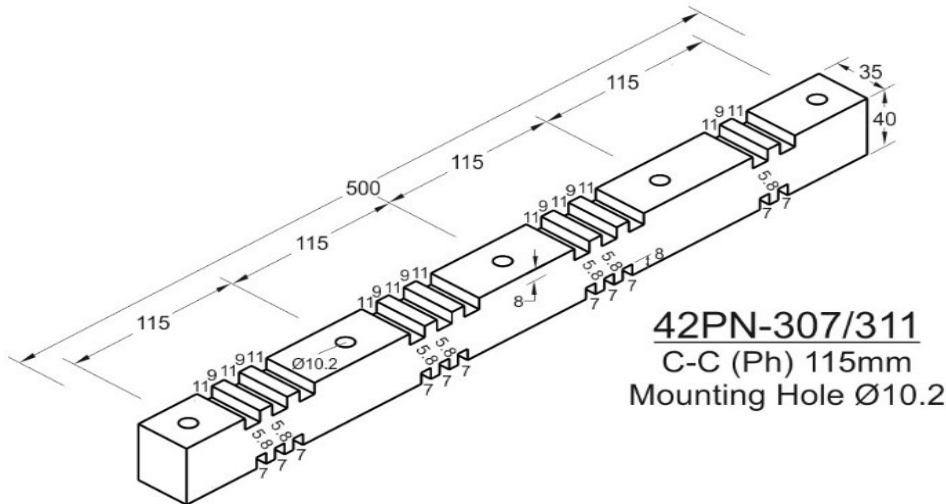




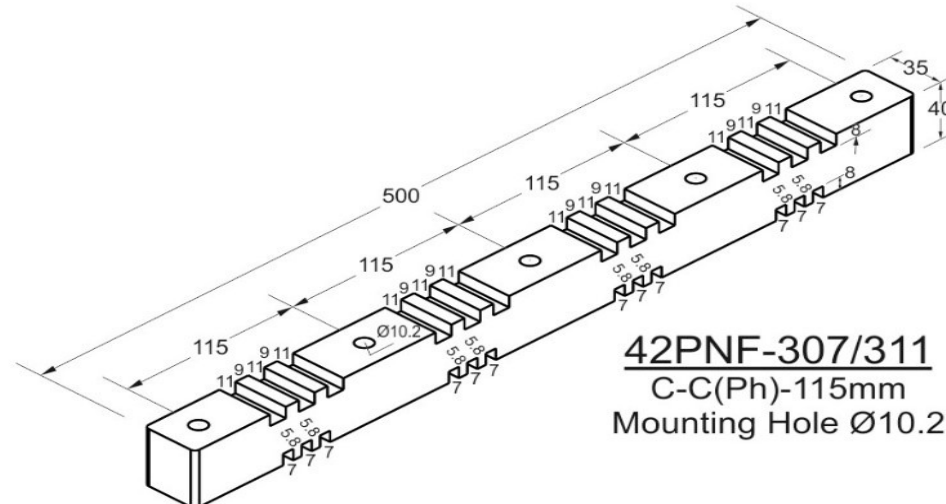
32PN-305/306
C-C (Ph) 105mm
Mounting Hole $\varnothing 8.5$



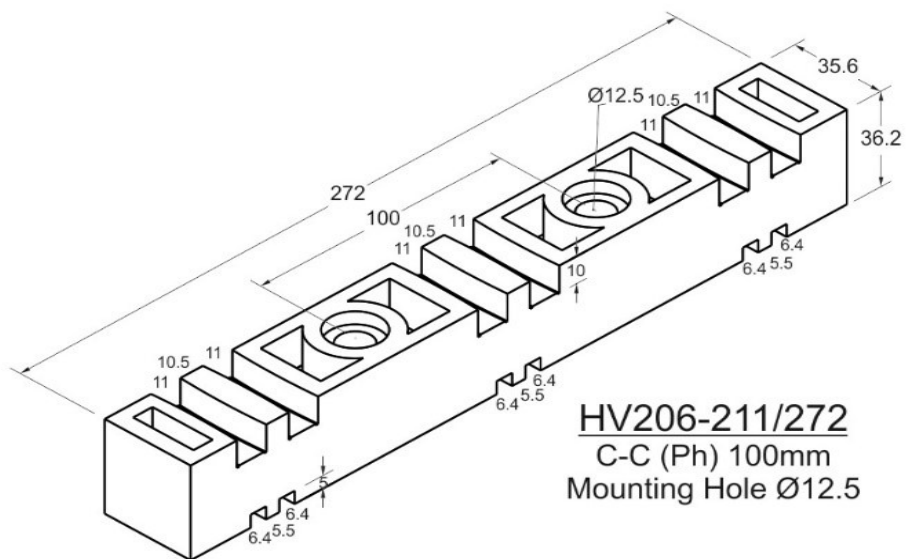
32PN-307/211
C-C (Ph) 105mm
Mounting Hole $\varnothing 10.2$



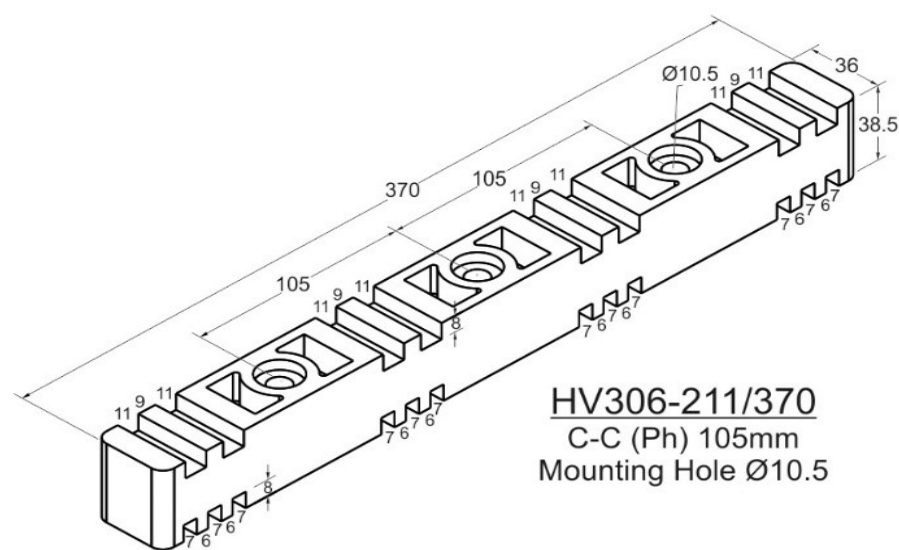
42PN-307/311
C-C (Ph) 115mm
Mounting Hole Ø10.2



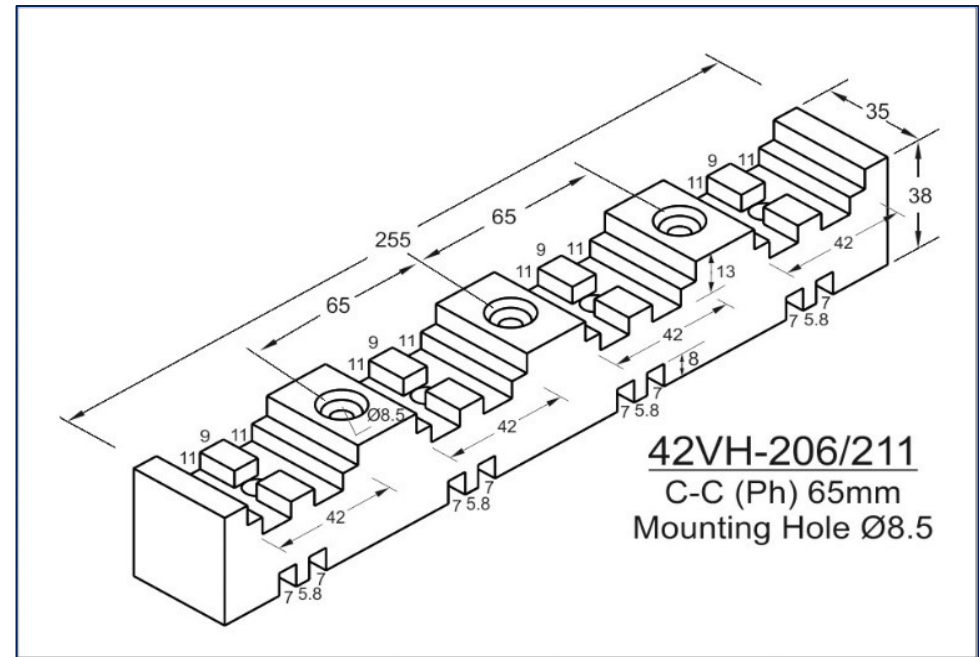
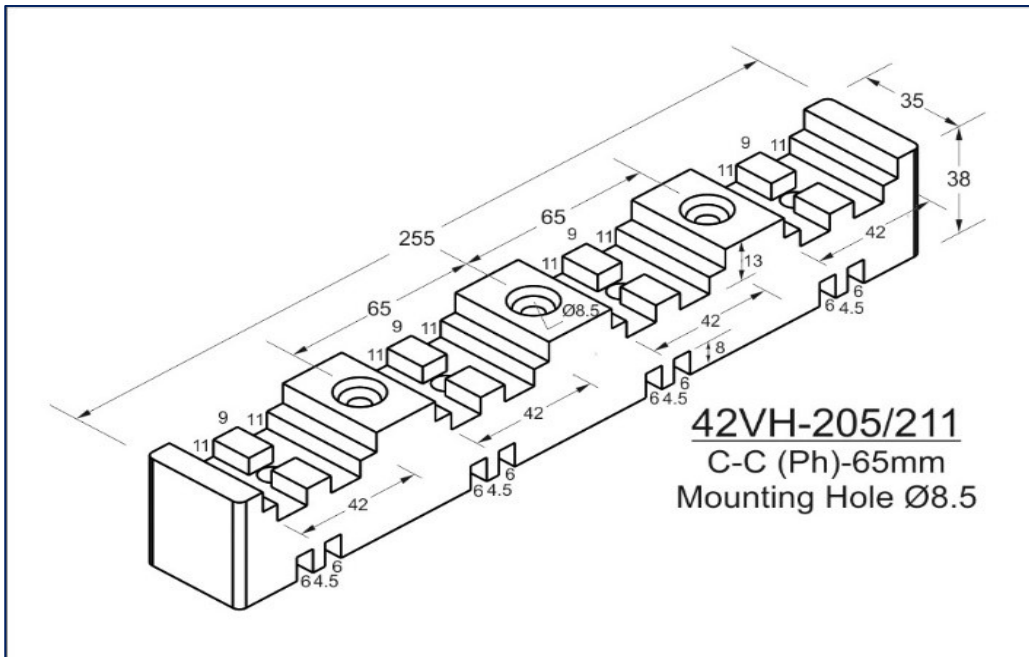
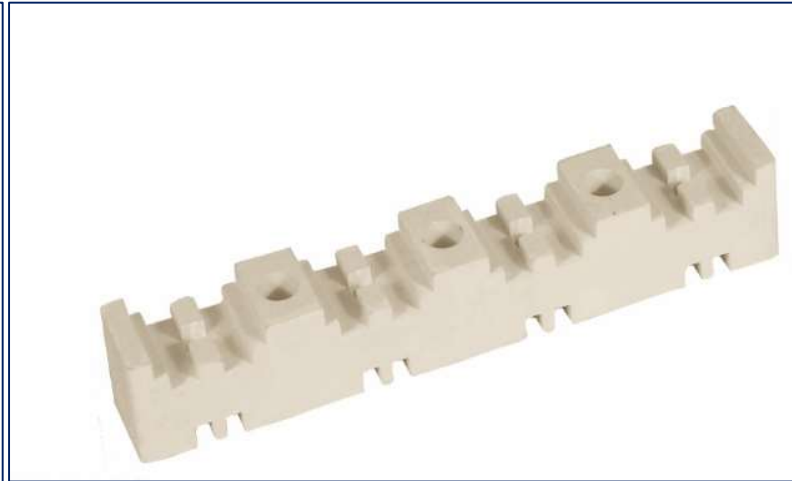
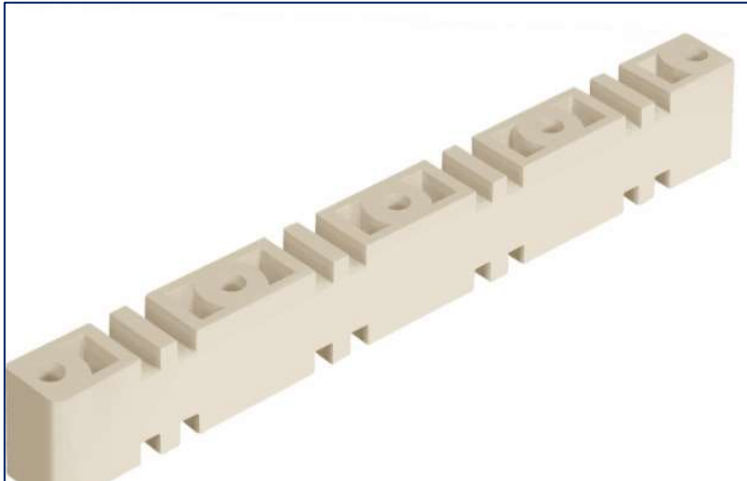
42PNF-307/311
C-C(Ph)-115mm
Mounting Hole Ø10.2

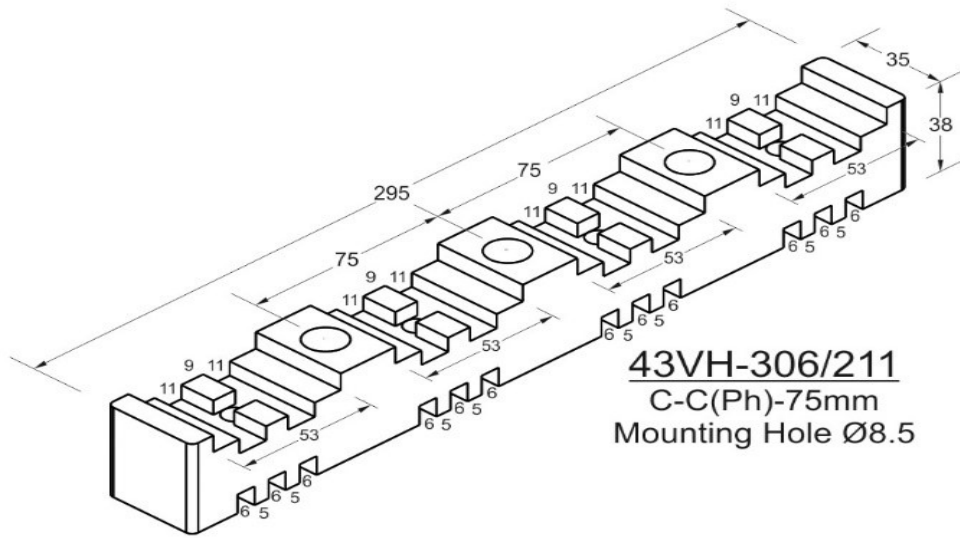


HV206-211/272
C-C (Ph) 100mm
Mounting Hole Ø12.5

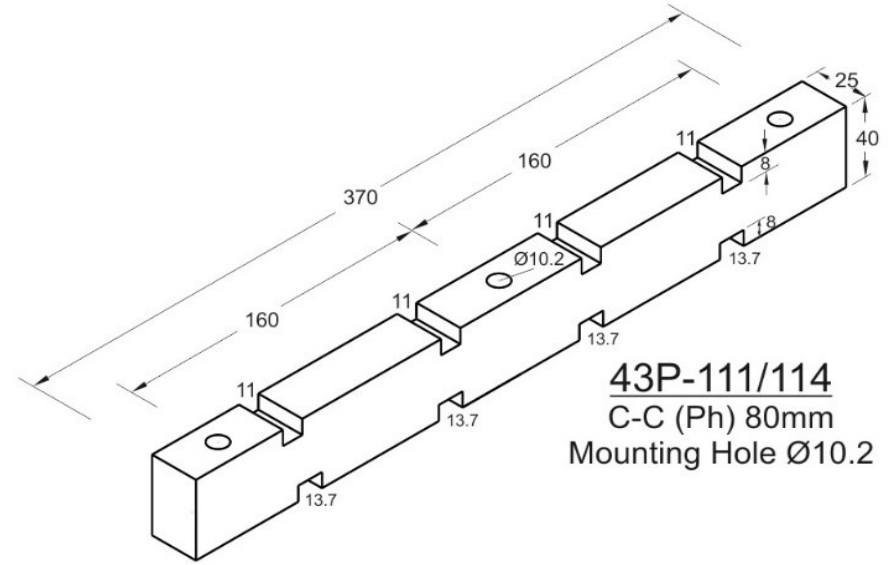


HV306-211/370
C-C (Ph) 105mm
Mounting Hole Ø10.5

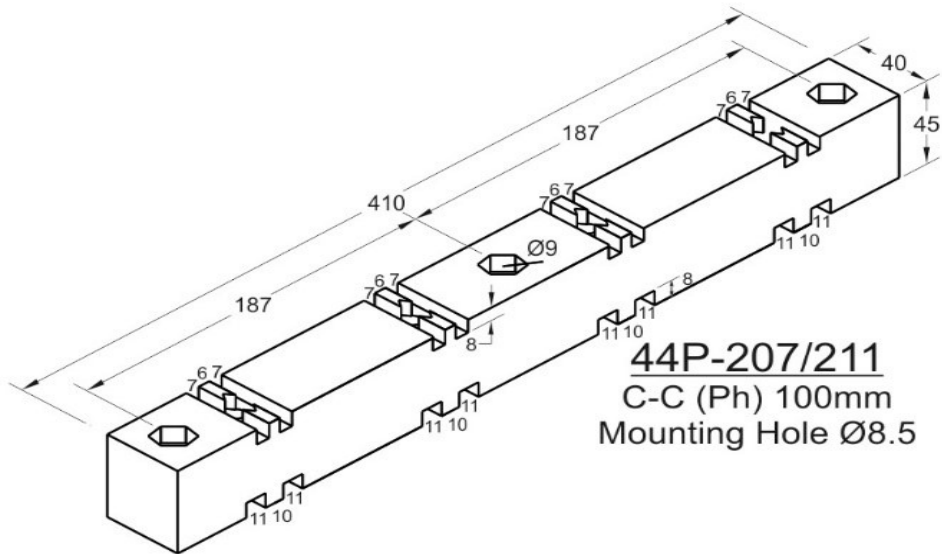




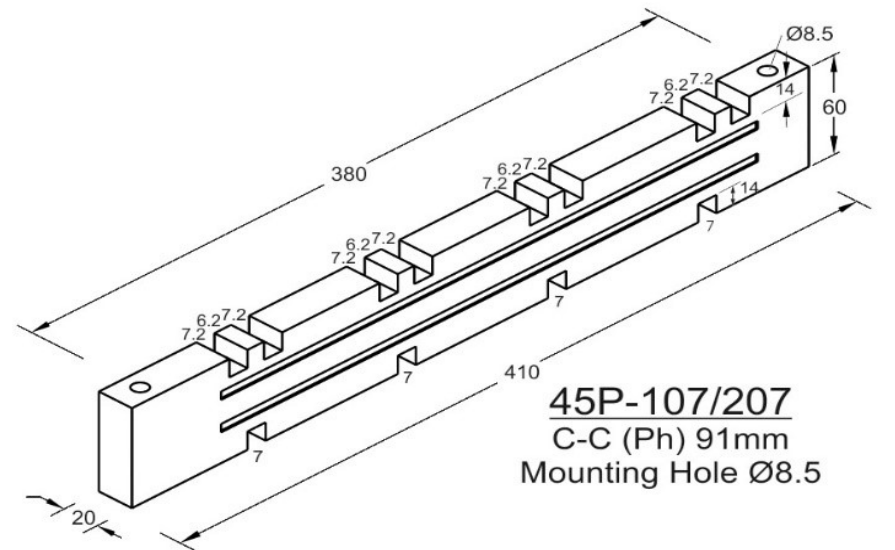
43VH-306/211
C-C(Ph)-75mm
Mounting Hole $\text{Ø}8.5$



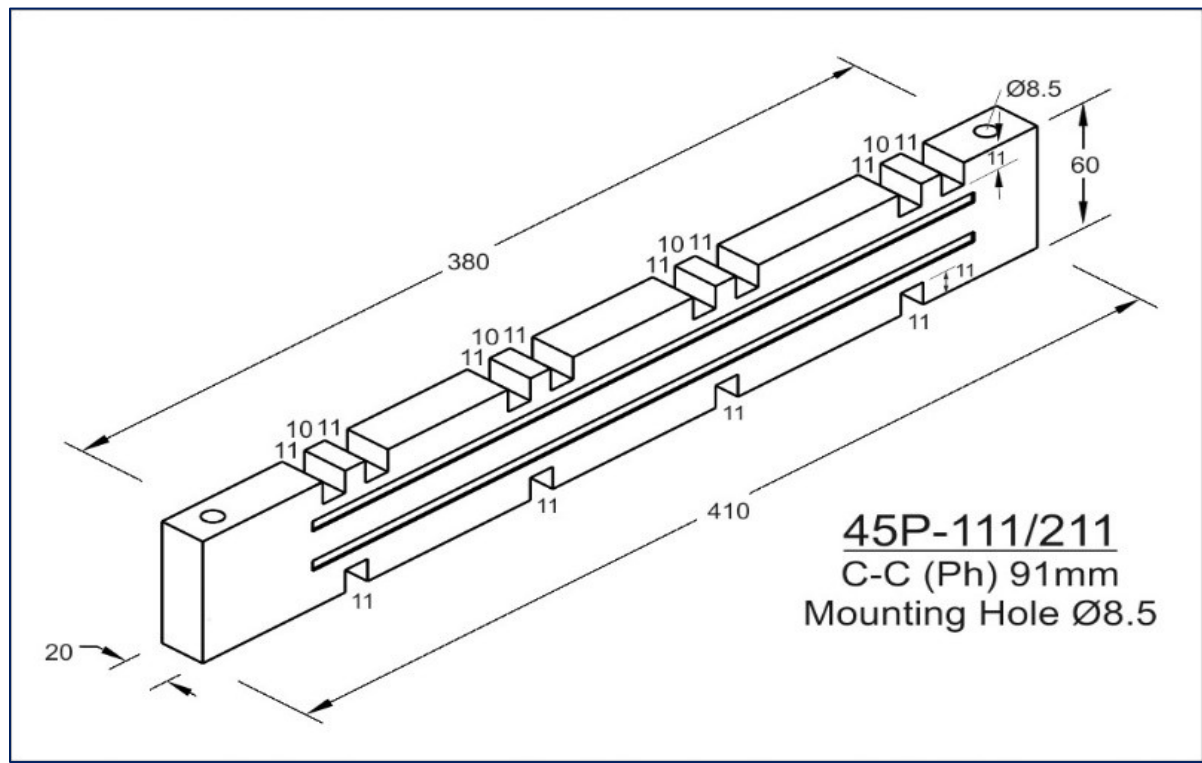
43P-111/114
C-C (Ph) 80mm
Mounting Hole $\text{Ø}10.2$



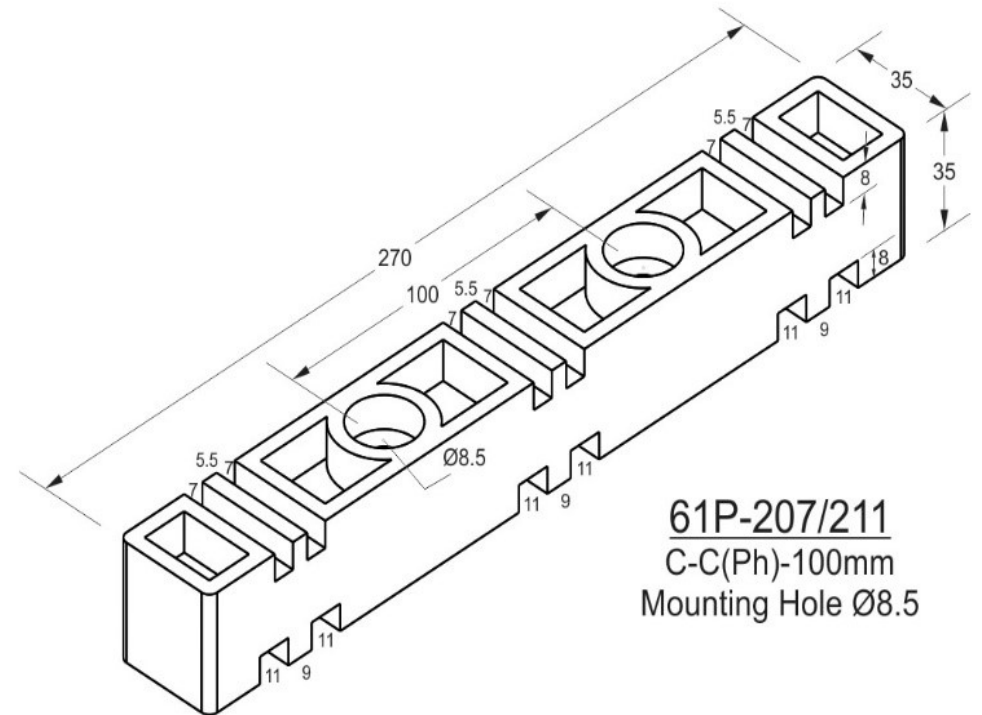
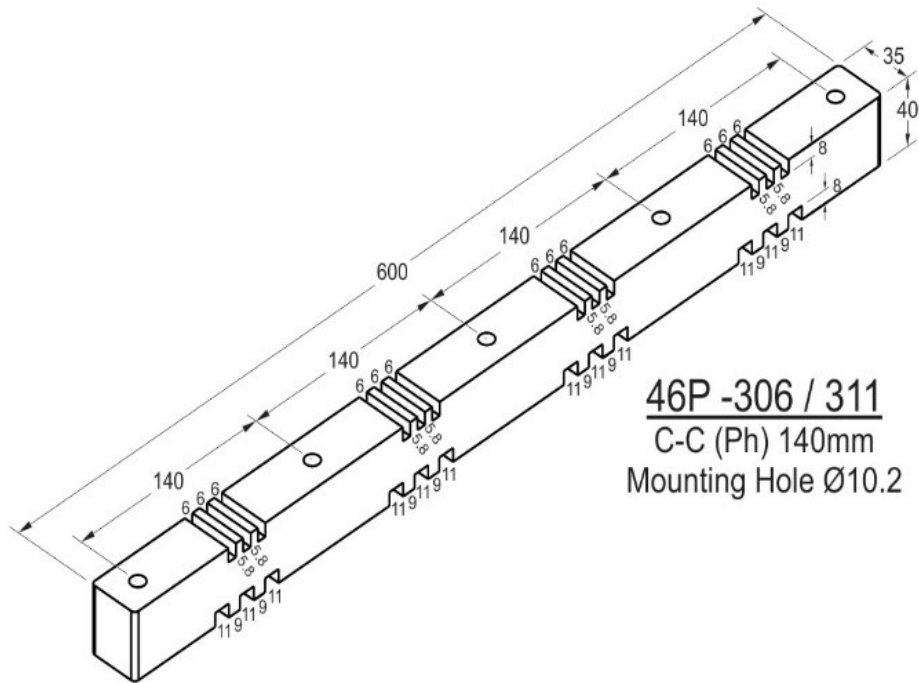
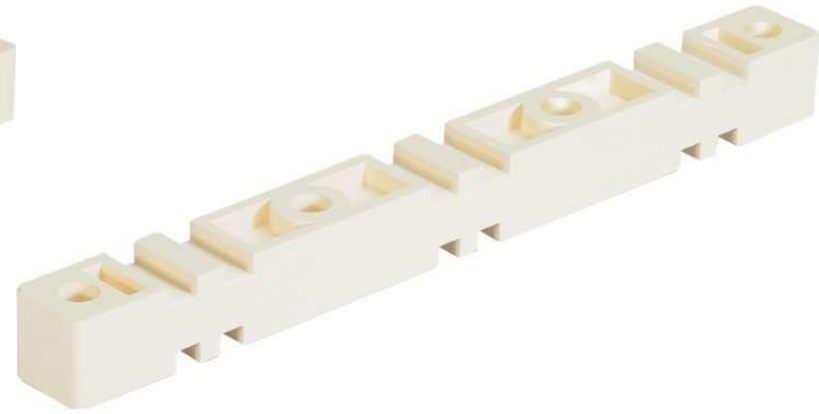
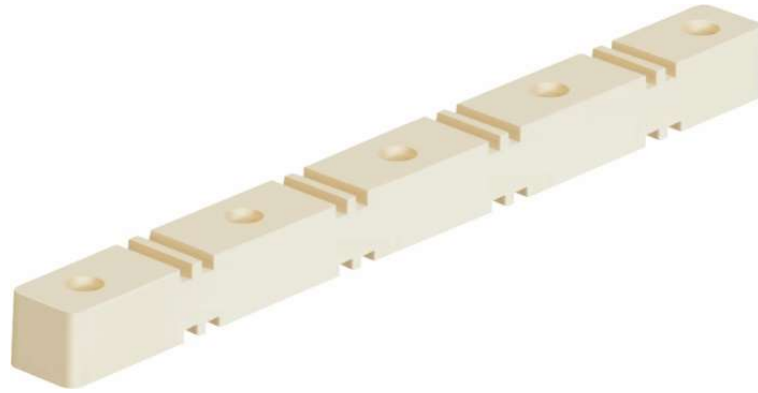
44P-207/211
C-C (Ph) 100mm
Mounting Hole $\text{Ø}8.5$

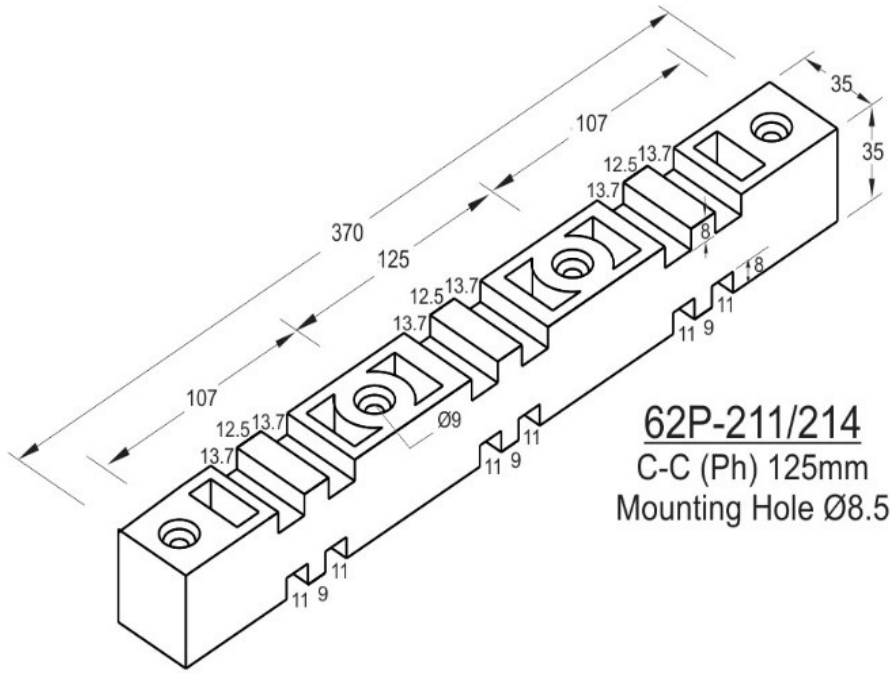


45P-107/207
C-C (Ph) 91mm
Mounting Hole $\text{Ø}8.5$

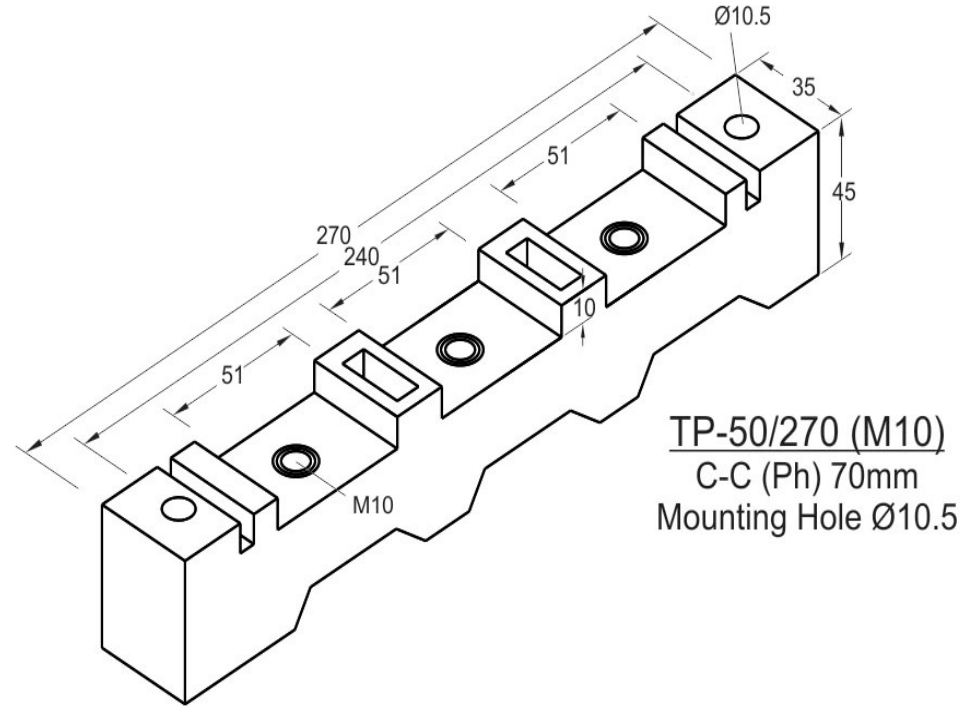


45P-111/211
C-C (Ph) 91mm
Mounting Hole $\text{Ø}8.5$

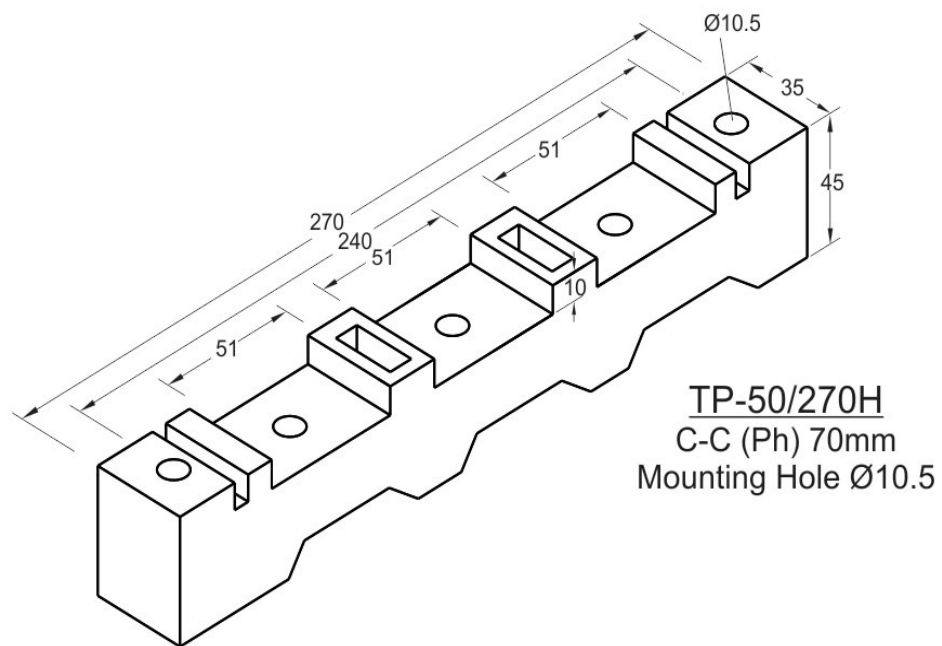
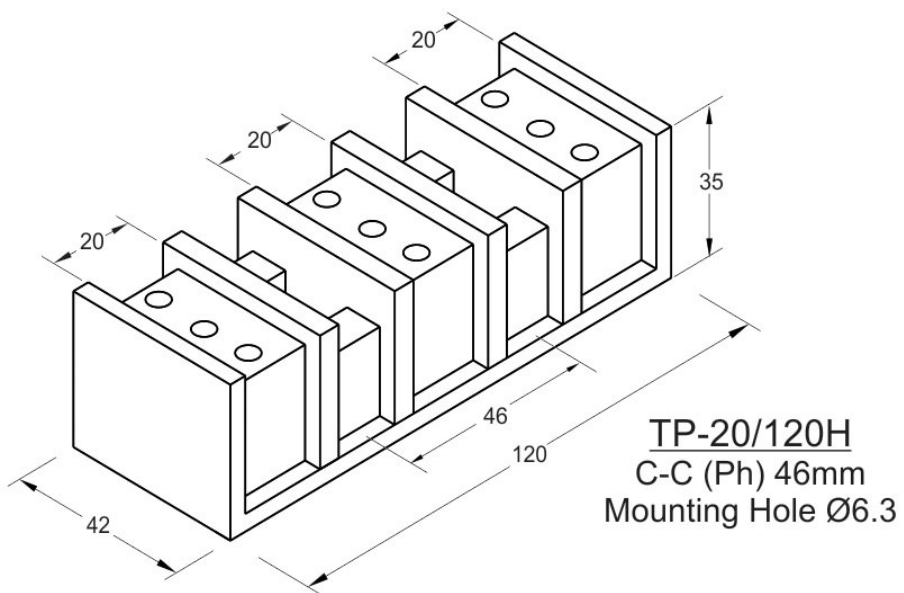


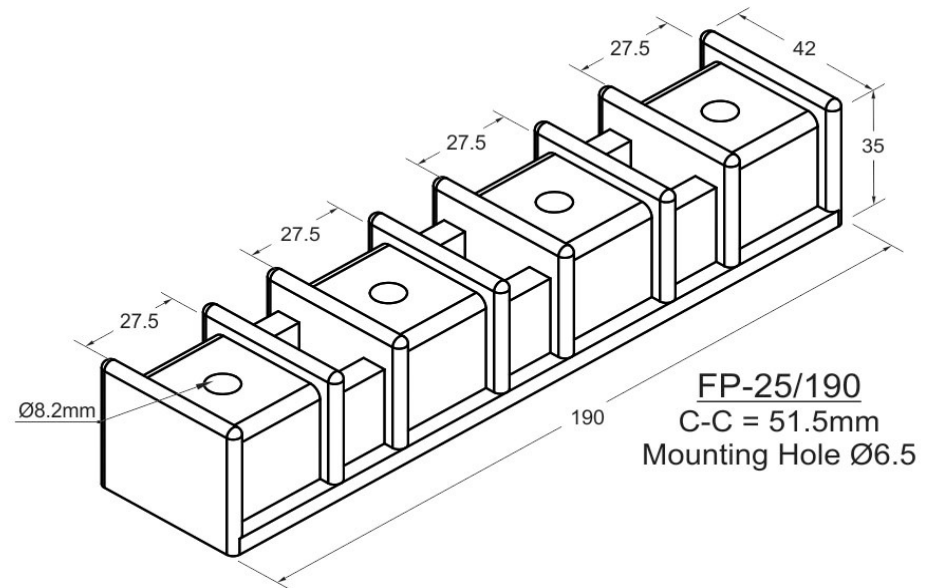
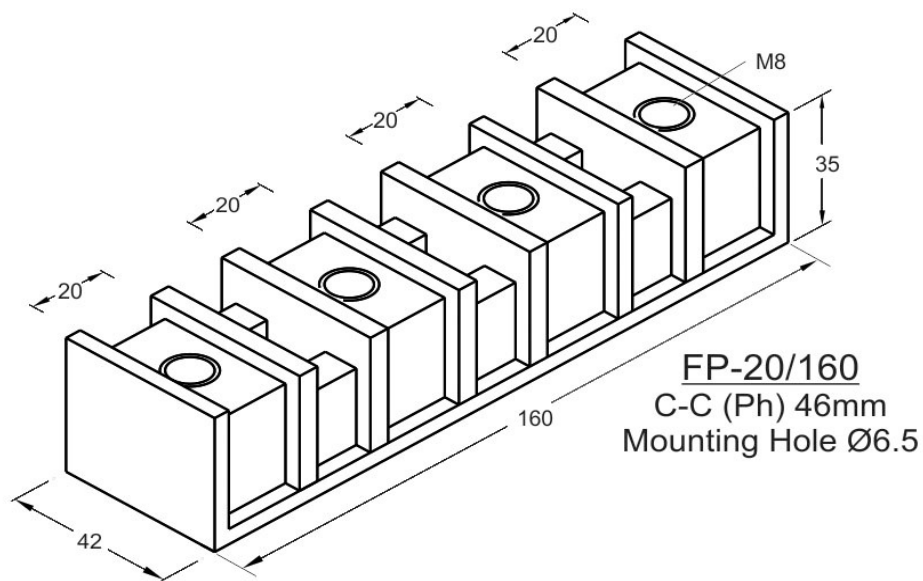
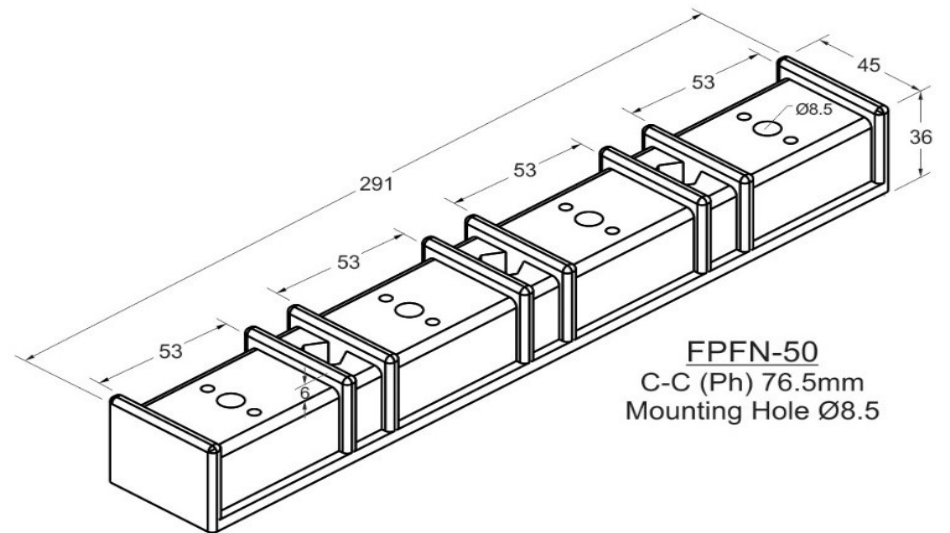
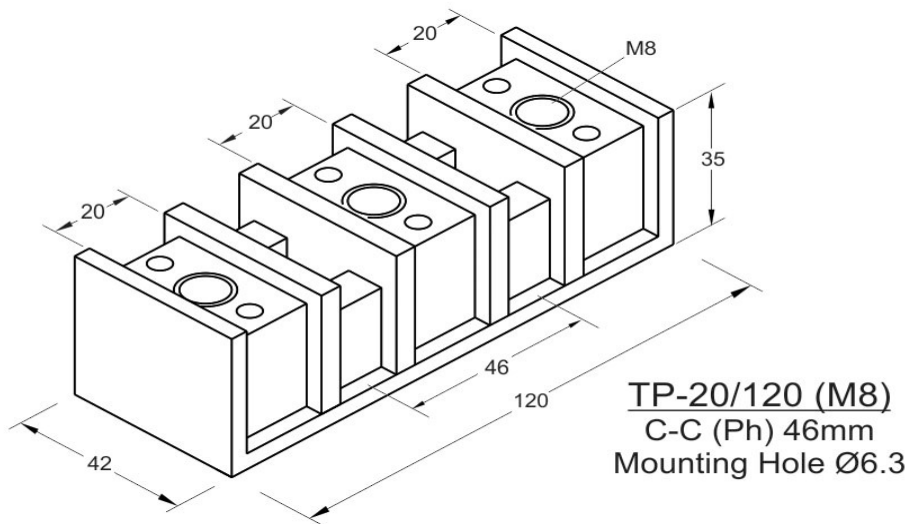


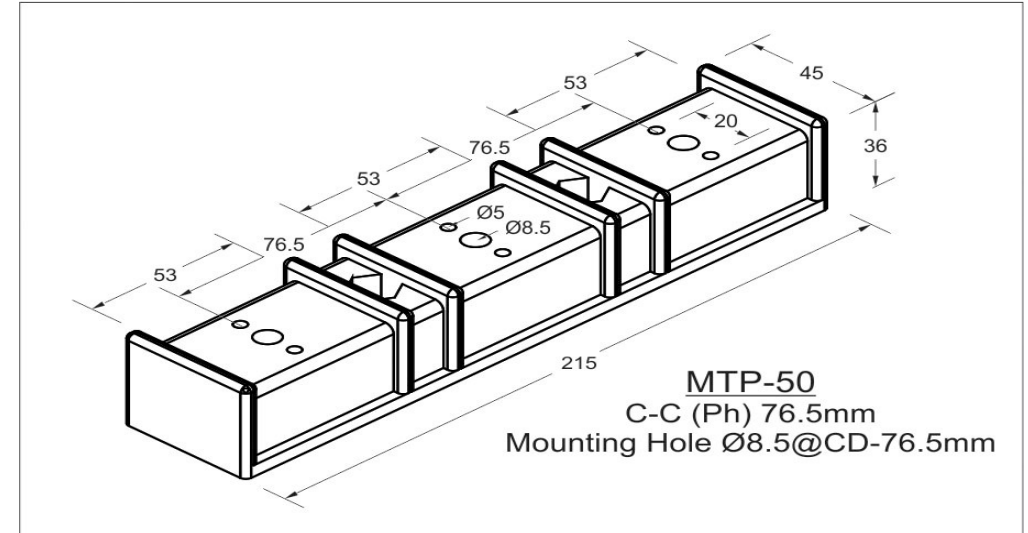
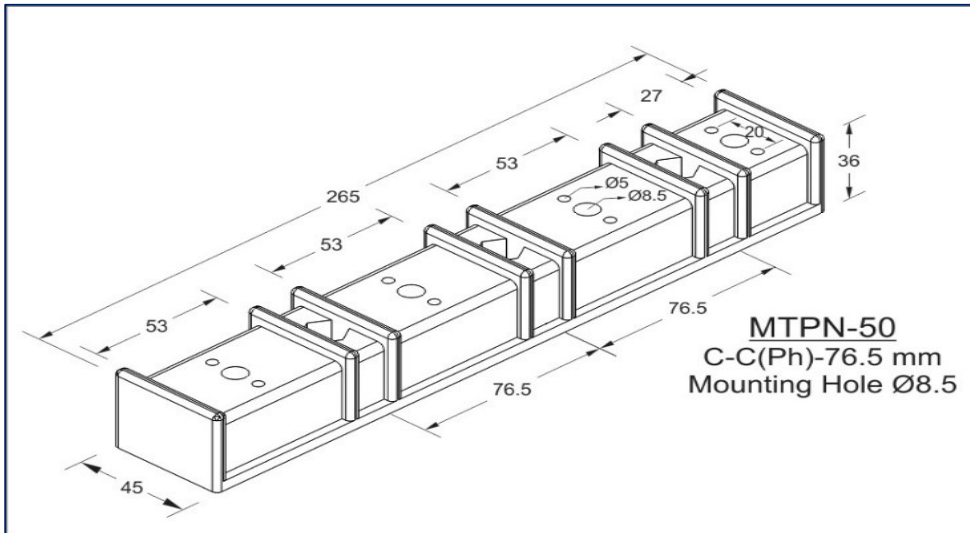
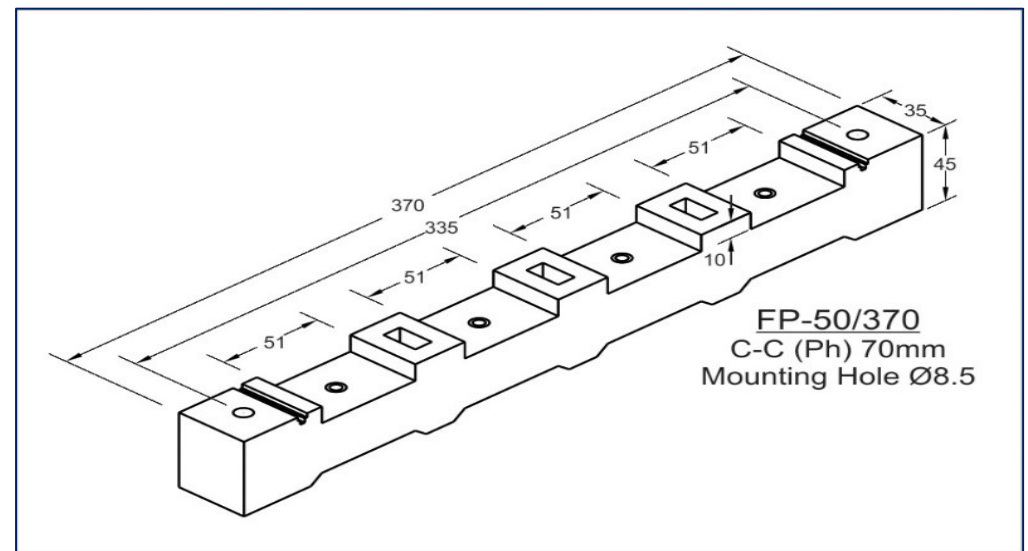
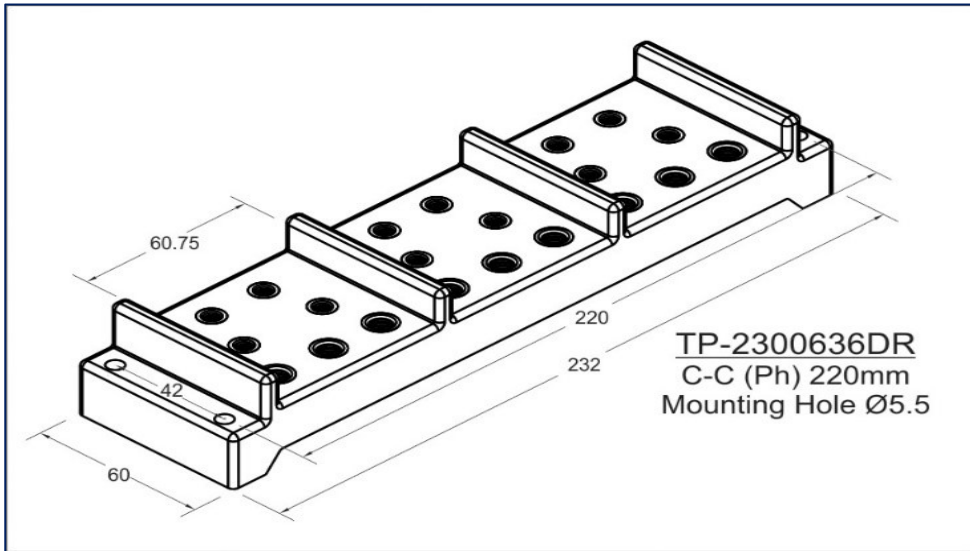
62P-211/214
C-C (Ph) 125mm
Mounting Hole $\varnothing 8.5$



TP-50/270 (M10)
C-C (Ph) 70mm
Mounting Hole $\varnothing 10.5$







- All Dimensions are in mm only.
- Tolerance is applicable as per DIN Standard 27

----- *Global Commitment*