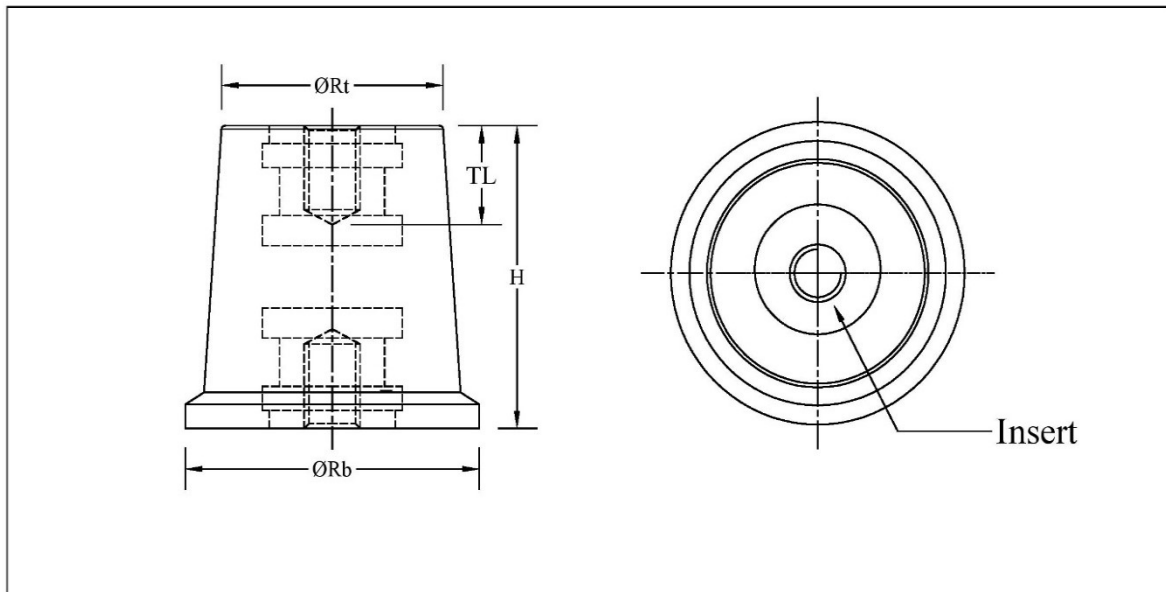


Conical Standoff Insulators

Conical standoff insulators available in both Metric & UNC Threads & in variety of heights & inserts, Male-Female & Male-Male Inserts combination.

Our Insulators are moulded from a flame retardant and track resistance glass reinforced Thermoset Polyester compound recognized to use for current carrying devices under UL Material Recognition No. E249670 & products are itself certified under UL Product Recognition No. E314972.

- Glow Wire Test - 960 °C
- Self-Extinguishing, UL 94 V0 Rated
- Non-Hygroscopic Material
- Halogen Free
- Operating Temperature range from (-) 40°C to 130°C.



Part No	Dimensions				Nominal Voltage
	Height (H)	Rt Ø	Rb Ø	TL	
(Insert)	mm	mm	mm	mm	AC/DC
C625(M6)	25	19	25	7	1000/1400
C630(M6)	30	25	30	9	1200/1600
C830(M8)	30	25	30	9	1200/1600
C635(M6)	35	28	35	12	1400/1900
C835(M8)	35	28	35	12	1400/1900
C640(M6)	40	33	40	12	1600/2200
C840(M8)	40	33	40	12	1600/2200
C1040(M8)	40	33	40	12	1600/2200
C645(M6)	45	36	45	12	1800/2500
C845(M8)	45	36	45	12	1800/2500
C850(M8)	50	40	50	17	2000/2500
C1050(M10)	50	40	50	17	2000/2500
C1250(M12)	50	40	50	17	2000/2500

C1060(M10)	60	40	50	17	2400/3300
C1260(M12)	60	40	50	17	2400/3300
C1070(M10)	70	41	50	17	2800/3900
C1270(M12)	70	41	50	17	2800/3900

- All Dimensions are in mm only.
- Tolerance is applicable as per DIN Standard 2768.

-----*Global Commitment*