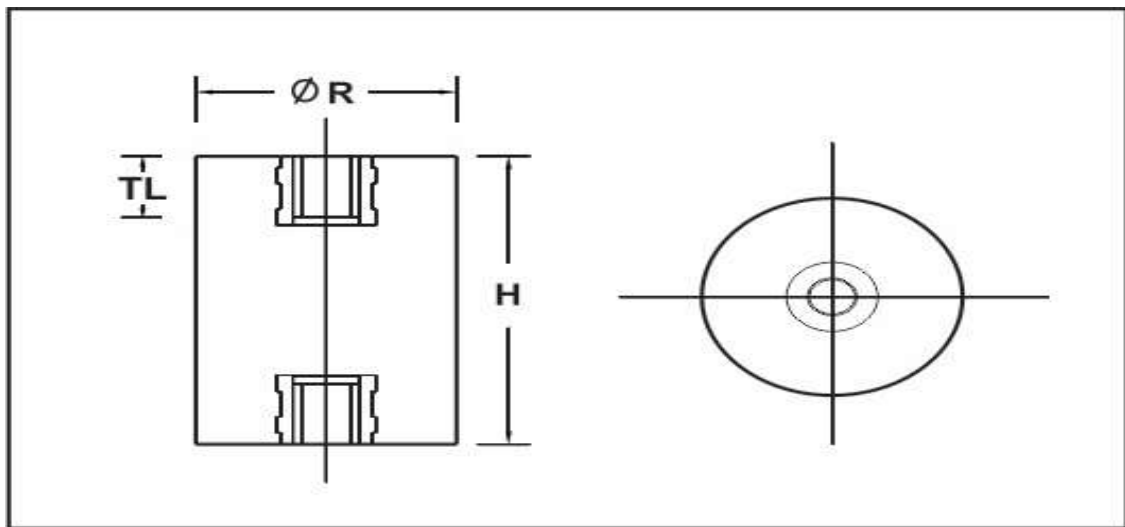


Cylindrical Standoff Insulators

Cylindrical standoff insulators available in both Metric & UNC Threads & in variety of heights & inserts, Male-Female & Male-Male Inserts combination.

Our Insulators are moulded from a flame retardant and track resistance glass reinforced Thermoset Polyester compound recognized to use for current carrying devices under UL Material Recognition No. E249670 & products are itself certified under UL Product Recognition No. E314972.

- Glow Wire Test - 960 °C
- Self-Extinguishing, UL 94 V0 Rated
- Non-Hygroscopic Material
- Halogen Free
- Operating Temperature range from (-) 40°C to 130°C.



Part No (Insert)	Dimension			Nominal Voltage (AC/DC)
	Height (H) mm	Ø R mm	TL mm	
CY 2223 (M8)	23	22	7	900/1200
CY 2225 (M6)	25	22	7	1000/1400
CY 2225 (M8)	25	22	7	1000/1400
CY 2630 (M8)	30	26	9	1200/1600
CY 2630 (M6)	30	26	9	1200/1600
CY 3030 (M6)	30	30	9	1200/1600
CY 3030 (M8)	30	30	9	1200/1600
CY 3030 (M10)	30	30	9	1200/1600
CY 4535 (M10)	35	45	12	1400/1900
CY 3036 (M8)	36	30	12	1500/2000
CY 2640 (M8)	40	26	12	1600/2200
CY 3040 (M6)	40	30	12	1600/2200
CY 3040 (M8)	40	30	12	1600/2200
CY 3040 (M10)	40	30	12	1600/2200
CY 4040 (M8)	40	40	12	1600/2200

CY 4540 (M10)	40	45	12	1600/2200
CY 4040 (M10)	40	40	12	1600/2200
CY 3045 (M10)	45	30	12	1600/2200
CY 2650 (M6)	50	26	12	2000/2800
CY 2650 (M8)	50	26	12	2000/2800
CY 3050 (M6)	50	30	12	2000/2800
CY 3050 (M8)	50	30	17	2000/2800
CY 3050 (M10)	50	30	17	2000/2800
CY 4050 (M8)	50	40	17	2000/2800
CY 4050 (M10)	50	40	17	2000/2800
CYD 4050 (M10)	50	40	17	2000/2800
CY 4550 (M10)	50	45	17	2000/2800
CY 5050 (M10)	50	50	17	2000/2800
CY 5050 (M12)	50	50	17	2000/2800
CY 3051 (M8)	51	30	17	2040/2800
CY 2660 (M6)	60	26	12	2400/3300
CY 2660 (M8)	60	26	17	2400/3300
CY 2660 (M10)	60	26	17	2400/3300
CY 3060 (M6)	60	30	12	2400/3300
CY 3060 (M8)	60	30	17	2400/3300
CY 3060 (M10)	60	30	17	2400/3300
CY 5060 (M10)	60	50	17	2400/3300
CY 5060 (M12)	60	50	17	2400/3300
CY 6060 (M10)	60	60	17	2400/3300
CY 6060 (M12)	60	60	17	2400/3300
CY 2663 (M6)	63	26	12	2500/3500
CY 2663 (M8)	63	26	17	2500/3500
CY 2663 (M10)	63	26	17	2500/3500
CY 3076 (M10)	76	30	22	3000/4200
CY 2690 (M6)	90	26	12	3600/5000

- All Dimensions are in mm only.
- Tolerance is applicable as per DIN Standard 2768.

----- *Global Commitment*