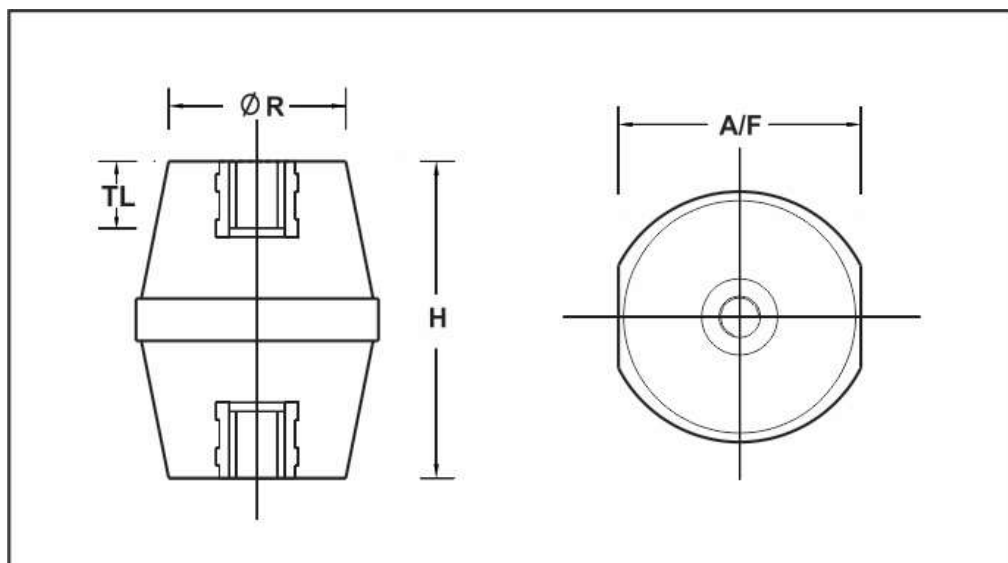


Drum Standoff Insulators

Drum standoff insulators available in both Metric & UNC Threads & in variety of heights & inserts, Male-Female & Male-Male Inserts combination.

Our Insulators are moulded from a flame retardant and track resistance glass reinforced Thermoset Polyester compound recognized to use for current carrying devices under UL Material Recognition No. E249670 & products are itself certified under UL Product Recognition No. E314972.

- Glow Wire Test - 960 °C
- Self-Extinguishing, UL 94 V0 Rated
- Non-Hygroscopic Material
- Halogen Free
- Operating Temperature range from (-) 40°C to 130°C.



Part No	Dimension				Nominal Voltage
	Height	AF	Ø R	TL	
(Insert)	(H) mm	mm	mm	mm	(AC/DC)
D 420 (M4)	20	18	14	5	800/1100
D 620 (M4)	20	18	14.5	5	800/1100
D 425 (M4)	25	21	16	7	1000/1400
D 625 (M6)	25	21	16	7	1000/1400
D 630 (M6)	30	33	25	9	1200/1600
D 830 (M8)	30	33	26	9	1200/1600
D 635 (M6)	35	32	26	12	1400/1900
D 835 (M8)	35	32	26	12	1400/1900
D 1035 (M10)	35	32	26	12	1400/1900
D 840 (M8)	40	39	30	12	1600/2200
D 1040 (M10)	40	39	30	12	1600/2200
D 845 (M8)	45	41	32	12	1800/2500
D 1045 (M10)	45	41	32	12	1800/2500
D 1245 (M12)	45	41	32	12	1800/2500

D 850 (M8)	50	48	36	17	2000/2800
D 1050 (M10)	50	48	36	17	2000/2800
D 1250 (M12)	50	48	36	17	2000/2800
D 851E (M8)	51	35	27	17	2040/2800
D 1051E (M10)	51	35	27	17	2040/2800
D 860 (M8)	60	52	38	17	2400/3300
D 1060 (M10)	60	52	37	17	2400/3300
D 1260 (M12)	60	52	37	17	2400/3300
D 865 (M8)	65	55	41	22	2600/3600
D 1065 (M10)	65	55	41	22	2600/3600
D 1265 (M12)	65	55	41	22	2600/3600
D 1070 (M10)	70	55	42	22	2800/3900
D 1270 (M12)	70	55	42	22	2800/3900
D 1075 (M10)	75	55	42	22	3000/4200
D 1275 (M12)	75	55	42	22	3000/4200
D 1276 (M12)	76	50	34	22	3000/4200

- All Dimensions are in mm only.
- Tolerance is applicable as per DIN Standard 2768.

-----*Global Commitment*