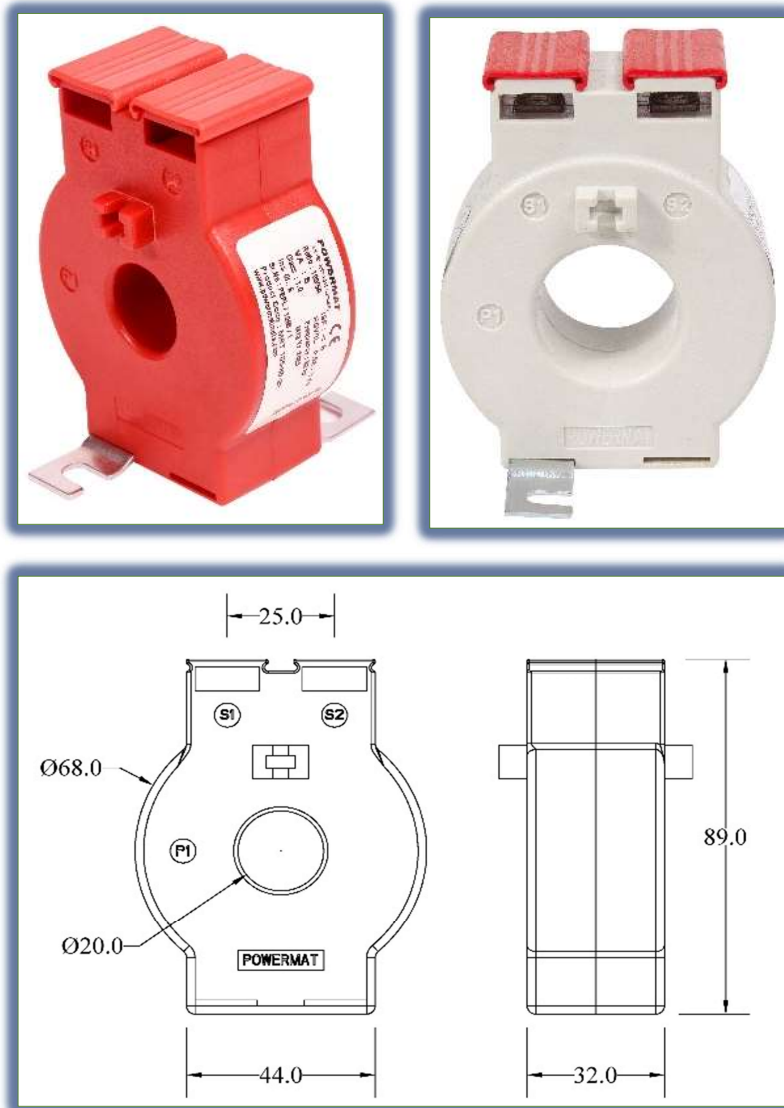


Encapsulated Current Transformer (Round ID-20mm)



Encapsulated Current Transformer (Round ID -20MM)

- **POWERMAT Encapsulated Current Transformers** deliver exceptional accuracy and reliability.
- These CTs are housed in robust case with classical finish.

POWERMAT

Corporate Office Address:
Powercam Electricals Private Ltd.
 F-9, Shopping Centre-Manasarovar Garden
 New Delhi – 110015 (India),
 Ph : +91 11 45579634, 25116836, 25175575

Factory Address:
Powercam Electricals Private Ltd.
 Khasra no. 40//21,22 min, 45//1,10 & 11/1/1,
 Village Kasar, Tehsil Bahadurgarh District Jhajjar,
 Haryana-124508 (India)

- These Current Transformer come with two versions, Terminal Type & Extended Wire Type & two casing option with each version.
- Casing options are Encapsulated type & Encapsulated Resin Type. All casings are available in UL Rated Nylon, Polycarbonate & ABS material.

Ordering Code Casing type code followed by current ratio (sum of Primary Current to the Secondary Current), Burden and then class of Accuracy. Abbreviation Used for This Series

MTT – Metering Type Terminal

Accuracy Class Codes

Alphabets are used for designation of Class of Accuracy.

Letter A – Class 3,
 Letter B – Class 1,
 Letter C – Class 0.5
 Letter E – Class 0.2
 Letter F – Class 0.1

CT Range Table:

Encapsulated Current Transformer (Round ID -20MM)			
Serial	Primary	Accuracy	
No.	Current	0.5	1.0
1	50 A	-	1.25 VA
2	60 A	-	2.5 VA
3	75 A	-	2.5 VA
4	80 A	1.25 VA	2.5 VA
5	100 A	2.5 VA	5 VA
6	125 A	2.5 VA	5 VA
7	150 A	3.75 VA	5 VA

** Can be customize as per Requirements.

POWERMAT

Corporate Office Address:
 Powercam Electricals Private Ltd.
 F-9, Shopping Centre-Manasarovar Garden
 New Delhi – 110015 (India),
 Ph : +91 11 45579634, 25116836, 25175575

Factory Address:
 Powercam Electricals Private Ltd.
 Khasra no. 40//21,22 min, 45//1,10 & 11/1/1,
 Village Kasar, Tehsil Bahadurgarh District Jhajjar,
 Haryana-124508 (India)