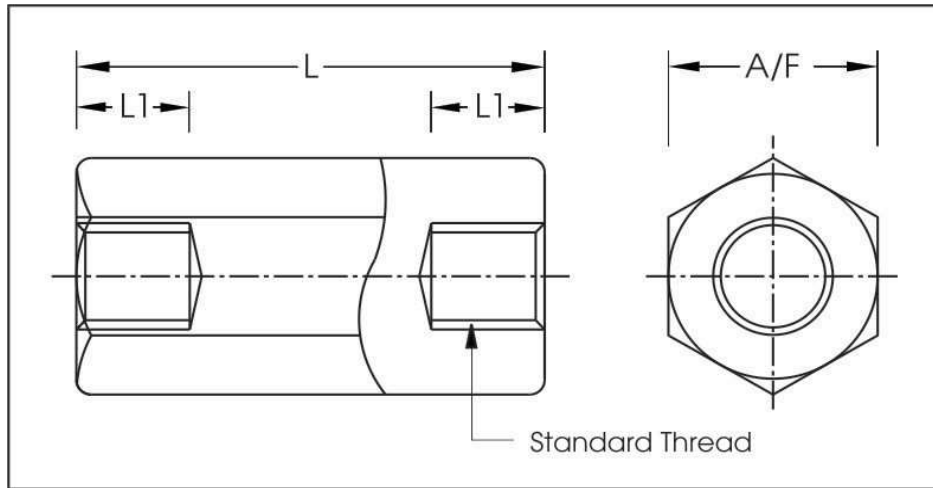


Female Female Type (PSP Series)



POWERMAT code	Dimension			
	Thread	L	A/F	L 1
SPACER FOR M2.5				
PSP/M2.5/AF5/L18	M 2.5	18	5	8
PSP/M2.5/AF5/L20	M 2.5	20	5	8
PSP/M2.5/AF5/L25	M 2.5	25	5	8
PSP/M2.5/AF5/L30	M 2.5	30	5	10
PSP/M2.5/AF5/L35	M 2.5	35	5	10
PSP/M2.5/AF5/L40	M 2.5	40	5	10

POWERMAT code	Dimension			
	Thread	L	A/F	L 1
SPACER FOR M3				
PSP/M3/AF5/L22	M 3	22	5	8
PSP/M3/AF5/L25	M 3	25	5	8
PSP/M3/AF5/L30	M 3	30	5	10
PSP/M3/AF5/L35	M 3	35	5	10
PSP/M3/AF5/L40	M 3	40	5	10
PSP/M3/AF5/L45	M 3	45	5	10
PSP/M3/AF5/L50	M 3	50	5	10
PSP/M3/AF5/L55	M 3	55	5	10
PSP/M3/AF5/L60	M 3	60	5	10

POWERMAT code	Dimension			
	Thread	L	A/F	L 1
SPACER FOR M4				
PSP/M4/AF7/L20	M 4	20	7	8
PSP/M4/AF7/L22	M 4	22	7	8
PSP/M4/AF7/L25	M 4	25	7	8
PSP/M4/AF7/L30	M 4	30	7	10
PSP/M4/AF7/L35	M 4	35	7	10
PSP/M4/AF7/L40	M 4	40	7	10
PSP/M4/AF7/L45	M 4	45	7	10

PSP/M4/AF7/L50	M 4	50	7	10
PSP/M4/AF7/L55	M 4	55	7	10
PSP/M4/AF7/L60	M 4	60	7	10
PSP/M4/AF7/L70	M 4	70	7	10
PSP/M4/AF7/L80	M 4	80	7	10

POWERMAT code	Dimension			
	Thread	L	A/F	L 1
SPACER FOR M5	M 5	20	8	8
PSP/M5/AF8/L20	M 5	22	8	8
PSP/M5/AF8/L22	M 5	25	8	8
PSP/M5/AF8/L25	M 5	30	8	10
PSP/M5/AF8/L30	M 5	35	8	10
PSP/M5/AF8/L35	M 5	40	8	10
PSP/M5/AF8/L40	M 5	45	8	10
PSP/M5/AF8/L45	M 5	50	8	10
PSP/M5/AF8/L50	M 5	55	8	10
PSP/M5/AF8/L55	M 5	60	8	10
PSP/M5/AF8/L60	M 5	70	8	10
PSP/M5/AF8/L70	M 5	80	8	10
PSP/M5/AF8/L80	M 5			

POWERMAT Code	Dimension			
	Thread	L	A/F	L 1
SPACER FOR M6	M 6	35	10	10
PSP/M6/AF10/L35	M 6	40	10	10
PSP/M6/AF10/L40	M 6	45	10	10
PSP/M6/AF10/L45	M 6	50	10	10
PSP/M6/AF10/L50	M 6	55	10	10
PSP/M6/AF10/L55	M 6	60	10	10
PSP/M6/AF10/L60	M 6	70	10	10
PSP/M6/AF10/L70	M 6	80	10	10
PSP/M6/AF10/L80	M 6			

- All Dimensions are in mm only.
- Tolerance is applicable as per DIN Standard 2768.

----- *Global Commitment*