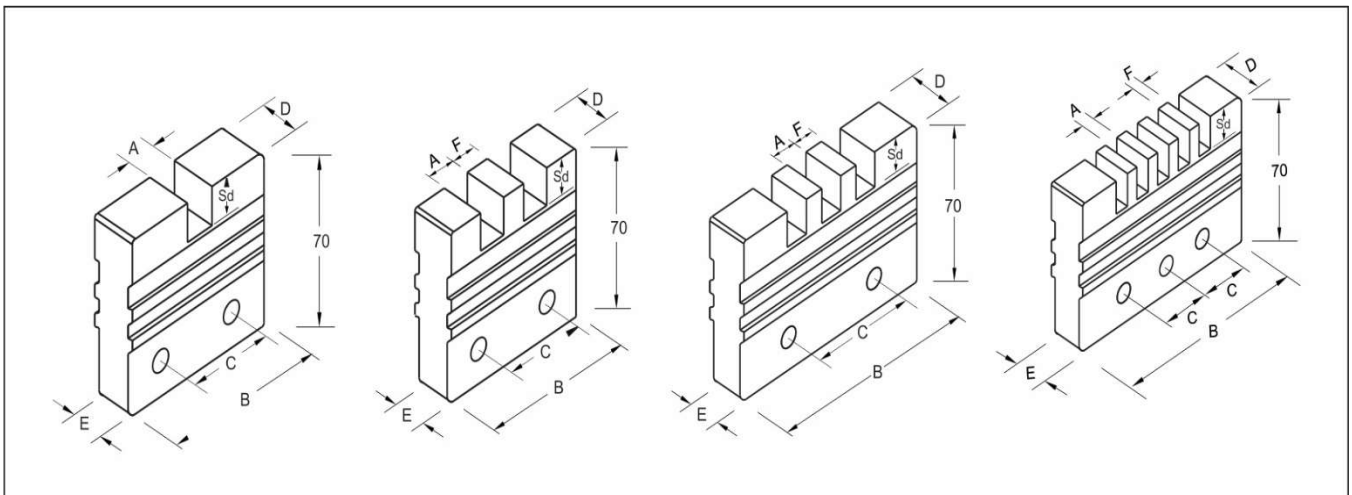


# Finger type Busbar Supports

Finger type Busbar Support offers versatile solution for higher short circuit rating and can hold Single Run to Multiple Runs of 6.0mm, 10mm & 12mm Busbars. p

Our Busbar Supports are moulded from a flame retardant and track resistance glass reinforced Thermoset Polyester compound recognized to use for current carrying devices under UL Material Recognition No. E249670.

- Glow Wire Test - 960 °C
- Self-Extinguishing, UL 94 V0 Rated
- Non-Hygroscopic Material
- Halogen Free
- Operating Temperature range from (-) 40°C to 130°C.



Busbar	POWERMAT Code	Dimension						
		A max	B	C	D	E	F max	Sd
Single Way								
6mm x 1R	106S	7	50	22	14	10	-	15
10mm x 1R	110S	11	50	22	14	10	-	15
12mm x 1R	112S	13.7	50	22	14	10	-	15
6mm x 1R	106W	7	60	32	14	10	-	15
10mm x 1R	110W	11	60	32	14	10	-	15
12mm x 1R	112W	13.7	60	32	14	10	-	15
6mm x 1R	106K	7	70	40	20	16	-	15
10mm x 1R	110K	11	70	40	20	16	-	15
12mm x 1R	112K	13.7	70	40	20	16	-	15
6mm x 1R	106T	7	70	40	25	20	-	15
10mm x 1R	110T	11	70	40	25	20	-	15
12mm x 1R	112T	13.7	70	40	25	20	-	15
12mm x 1R	112H	13.7	70	40	30	25	-	15
Two Way								
6mm x 2R	206W	7.1	60	32	14	10	5.6	15
10mm x 2R	210W	11	60	32	14	10	9.6	15
12mm x 2R	212W	13.7	70	32	14	10	11	15
6mm x 2R	206K	7.1	70	40	20	16	5.6	15
	119K	19.8	70	40	20	16	-	15
10mm x 2R	210K	11	70	40	20	16	9	15

	131K	31.2	70	40	20	16	-	15
12mm x 2R	212K	13.7	70	40	20	16	11	15
6mm x 2R	206T	7.1	70	40	25	20	5.6	15
	119T	19.8	70	40	25	20	-	15
10mm x 2R	210T	10.8	70	40	25	20	9.6	15
	131T	31.2	70	40	25	20	-	15
12mm x 2R	212T	13.7	70	40	25	20	11	15
<b>Three Way</b>								
6mm x 3R	306W	7	70	32	14	10	5.4	15
10mm x 3R	310W	11	80	50	14	10	8.6	15
12mm x 3R	312W	13.2	90	50	15	11	11	15
6mm x 3R	306K	7	70	40	20	16	5.4	15
10mm x 3R	310K	11	100	50	20	16	9.4	15
	151K	51.6	100	50	20	16	-	15
12mm x 3R	312K	13.2	100	50	20	16	1.5	15
6mm x 3R	306T	7	70	40	25	20	5.4	15
10mm x 3R	310T	11	100	50	25	20	9.4	15
	151T	51.6	100	50	25	20	-	15
12mm x 3R	312T	13.2	100	50	25	20	11.4	15
<b>Four Way</b>								
6mm x 4R	406W	7.2	80	50	14	10	5.6	15
6mm x 4R	406K	7.2	100	50	20	16	5.6	15
10mm x 4R	410K	11.2	130	80	20	16	9.6	15
	172K	72	130	80	20	16	-	15
12mm x 4R	412K	13.4	130	80	20	16	11.6	15
10mm x 4R	410T	11.2	130	80	25	20	9.6	15
	172T	72	130	80	25	20	-	15
12mm x 4R	412T	13.4	130	80	25	20	11.6	15
<b>Five Way</b>								
6mm x 5R	506K	7.4	100	50	20	16	5.4	15
10mm x 5R	510K	11.4	160	55/55	20	16	9.4	15
12mm x 5R	512K	13.7	160	55/55	20	16	11.4	15
6mm x 5R	506T	7.4	100	50	25	20	5.4	15
10mm x 5R	510T	11.4	160	55/55	25	20	9.4	15
12mm x 5R	512T	13.7	160	55/55	25	20	11.4	15
<b>Six Way</b>								
6mm x 6R	606K	7.6	100	50	20	16	5.6	15
10mm x 6R	610K	11.6	160	55/55	20	16	9.6	15
12mm x 6R	612K	13.9	160	55/55	20	16	11.6	15
6mm x 6R	606T	7.6	100	50	25	20	5.6	15
10mm x 6R	610T	11.6	160	55/55	25	20	9.6	15
12mm x 6R	612T	13.9	160	55/55	25	20	11.6	15
<b>Eight Way</b>								
6mm x 8R	806K	8	130	80	25	20	5.6	15

- All Dimensions are in mm only.
- Tolerance is applicable as per DIN Standard 2768.

----- *Global Commitment*