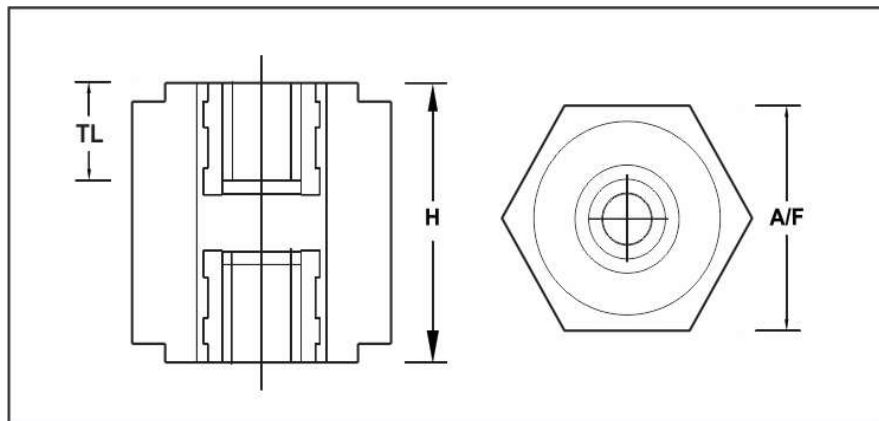


## Full Hex Standoff Insulators

Full Hex standoff insulators available in both Metric & UNC Threads & in variety of heights & inserts, Male-Female & Male-Male Inserts combination.

Our Insulators are moulded from a flame retardant and track resistance glass reinforced Thermoset Polyester compound recognized to use for current carrying devices under UL Material Recognition No. E249670 & products are itself certified under UL Product Recognition No. E 314972.

- Glow Wire Test - 960 °C
- Self-Extinguishing, UL 94 V0 Rated
- Non-Hygroscopic Material
- Halogen Free
- Operating Temperature range from (-) 40°C to 130°C.



Part No.	Height (H)	TL	Nominal Voltage
(Insert)	mm	(mm)	(AC/DC)
<b>Hex Face to Face (A/F 14mm)</b>			
14HH 415 (M4)	15	3.5	600/800
14HH 420 (M4)	20	5	800/1100
14HH 425 (M4)	25	5	1000/1400
14HH 515 (M5)	15	3.5	600/800
14HH 520 (M5)	20	5	800/1100
14HH 525 (M5)	25	7	1000/1400
14HH 527 (M5)	27	7	1000/1400
<b>Hex Face to Face (A/F 16mm)</b>			
16HH 515 (M5)	15	3.5	600/800
16HH 520 (M5)	20	5	800/1100
16HH 525 (M5)	25	7	1000/1400
16HH 530 (M5)	30	7	1200/1600
16HH 535 (M5)	35	12	1400/1900
16HH 540 (M5)	40	12	1600/2200
16HH 545 (M5)	45	12	1800/2500
16HH 550 (M5)	50	12	2000/2800
16HH 615 (M6)	15	3.5	600/800
16HH 620 (M6)	20	5	800/1100
16HH 625 (M6)	25	7	1000/1400
16HH 630 (M6)	30	7	1200/1600

16HH 635 (M6)	35	12	1400/1900
16HH 640 (M6)	40	12	1600/2200
16HH 645 (M6)	45	12	1800/2500
16HH 650 (M6)	50	12	2000/2800
<b>Hex Face to Face (A/F 20mm)</b>			
20HH 520 (M5)	20	5	800/1100
20HH 525 (M5)	25	7	1000/1400
20HH 530 (M5)	30	9	1200/1600
20HH 535 (M5)	35	12	1400/1900
20HH 540 (M5)	40	12	1600/2200
20HH 545 (M5)	45	12	1800/2500
20HH 550 (M5)	50	12	2000/2800
20HH 555 (M5)	55	12	2200/3000
20HH 560 (M5)	60	12	2400/3300
20HH 820 (M8)	20	5	800/1100
20HH 825 (M8)	25	7	1000/1400
20HH 830 (M8)	30	9	1200/1600
20HH 835 (M8)	35	12	1400/1900
20HH 620 (M6)	20	5	800/1100
20HH 625 (M6)	25	7	1000/1400
20HH 630 (M6)	30	9	1200/1600
20HH 635 (M6)	35	12	1400/1900
20HH 640 (M6)	40	12	1600/2200
20HH 645 (M6)	45	12	1800/2500
20HH 650 (M6)	50	12	2000/2800
20HH 655 (M6)	55	12	2200/3000
20HH 660 (M6)	60	12	2400/3300
20HH 845 (M8)	45	12	1800/2500
20HH 850 (M8)	50	17	2000/2800
20HH 860 (M8)	60	17	2400/3300
<b>Hex Face to Face (A/F 25mm)</b>			
25HH 625 (M6)	25	7	1000/1400
25HH 630 (M6)	30	9	1200/1600
25HH 635 (M6)	35	12	1400/1900
25HH 640 (M6)	40	12	1600/2200
25HH 645 (M6)	45	12	1800/2500
25HH 650 (M6)	50	12	2000/2800
25HH 655 (M6)	55	12	2200/3000
25HH 660 (M6)	60	12	2400/3300
25HH 680 (M6)	80	12	3200/4400
25HH 6100 (M6)	100	12	4000/5600
25HH 825 (M8)	25	7	1000/1400
25HH 830 (M8)	30	9	1200/1600
25HH 835 (M8)	35	12	1400/1900
25HH 840 (M8)	40	12	1600/2200
25HH 845 (M8)	45	12	1800/2500
25HH 850 (M8)	50	17	2000/2800
25HH 855 (M8)	55	17	2200/3000

25HH 860 (M8)	60	17	2400/3300
25HH 1030 (M10)	30	9	1200/1600
<b>Hex Face to Face (A/F 35mm)</b>			
35HH 830 (M8)	30	9	1200/1600
35HH 835 (M8)	35	12	1400/1900
35HH 840 (M8)	40	12	1600/2200
35HH 845 (M8)	45	12	1800/2500
35HH 850 (M8)	50	17	2000/2800
35HH 855 (M8)	55	17	2200/3000
35HH 860 (M8)	60	17	2400/3300
35HH 1030 (M10)	30	9	1200/1600
35HH 1035 (M10)	35	12	1400/1900
35HH 1040 (M10)	40	12	1600/2200
35HH 1045 (M10)	45	12	1800/2500
35HH 1050 (M10)	50	17	2000/2800
35HH 1055 (M10)	55	17	2200/3000
35HH 1060 (M10)	60	17	2400/3300
<b>Hex Face to Face (A/F 45mm)</b>			
45HH 1035 (M10)	35	12	1400/1900
45HH 1040 (M10)	40	12	1600/2200
45HH 1045 (M10)	45	12	1800/2500
45HH 1050 (M10)	50	17	2000/2800
45HH 1055 (M10)	55	17	2200/3000
45HH 1060 (M10)	60	17	2400/3300
45HH 1070 (M10)	70	22	2800/3900
45HH 1080 (M10)	80	22	3200/4400
45HH 1090 (M10)	90	22	3600/5000
45HH 10100 (M10)	100	22	4000/5600
45HH 1235 (M12)	35	12	1400/1900
45HH 1240 (M12)	40	12	1600/2200
45HH 1245 (M12)	45	12	1800/2500
45HH 1250 (M12)	50	17	2000/2800
45HH 1255 (M12)	55	17	2200/3000
45HH 1260 (M12)	60	17	2400/3300
45HH 1270 (M12)	70	22	2800/3900
45HH 1280 (M12)	80	22	3200/4400
45HH 1290 (M12)	90	22	3600/5000
45HH 12100 (M12)	100	22	4000/5600
<b>Hex Face to Face (A/F 55mm)</b>			
55HH 1050 (M10)	50	17	2000/2800
55HH 1060 (M10)	60	17	2400/3300

- All Dimensions are in mm only.
- Tolerance is applicable as per DIN Standard 2768.

-----*Global Commitment*