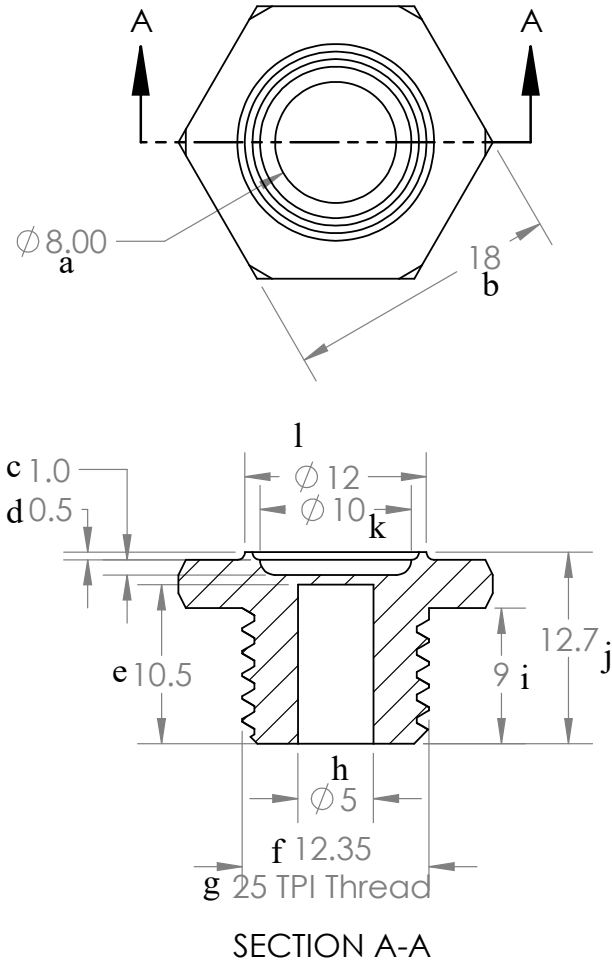
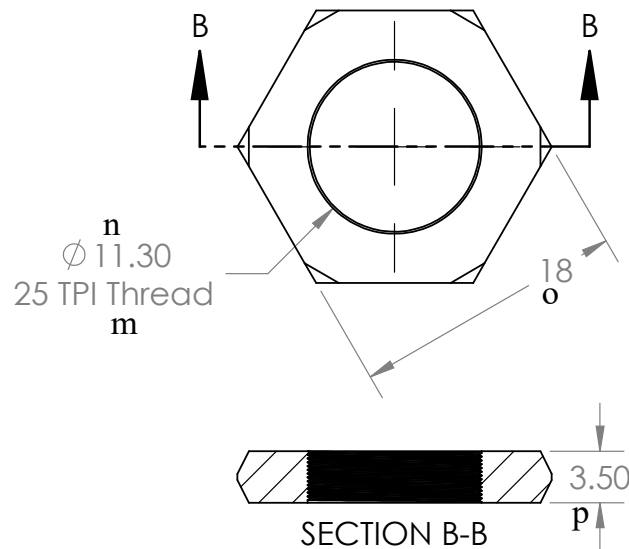


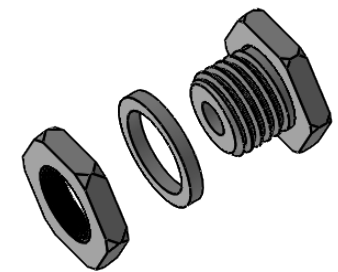
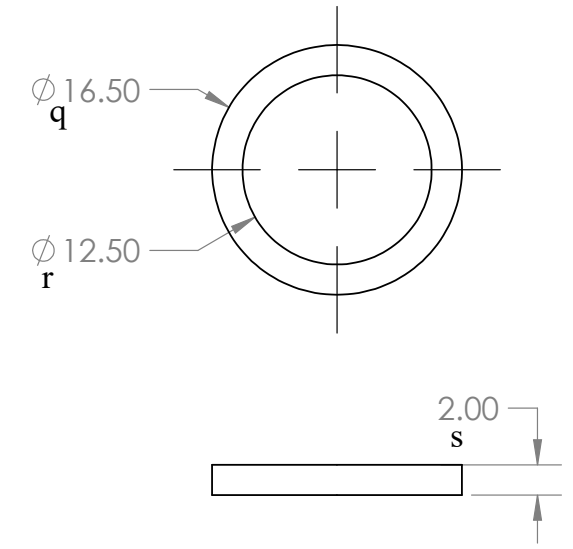
BODY



NUT



RUBBER



Pritam PRITAM INTERNATIONAL
 74B, EPIP PHASE 1, JHARMAJRI, BADDI, (H.P) INDIA

	NAME	DATE	TITLE Fusible Safety Relief Device
DRAWN	Mr.Rajat		DOCUMENT STATUS
APPRO'D	Mr.Rohit Khera		
MATERIAL DESCRIPTION	As 2347:2017		DWG NO PI/FSRD/01
DIMENSIONS	mm		PROJECTION 3rd
WEIGHT			