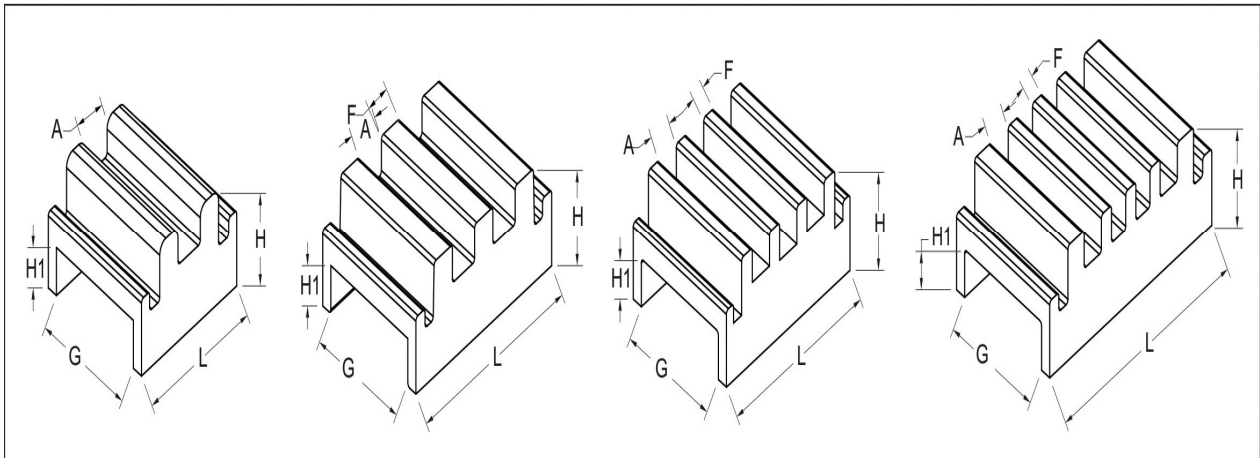


## Grip type Busbar Supports

Grip type Busbar Support offers hardware free solution for higher short circuit rating and can hold Single Run to Multiple Runs of 6.0mm, 10mm & 12mm Busbars.

Our Busbar Supports are moulded from a flame retardant and track resistance glass reinforced Thermoset Polyester compound recognized to use for current carrying devices under UL Material Recognition No. E249670.

- Glow Wire Test - 960 °C
- Self-Extinguishing, UL 94 V0 Rated
- Non-Hygroscopic Material
- Halogen Free
- Operating Temperature range from (-) 40°C to 130°C.



Part No.	Busbar	Dimension						
		Amax	C	F	G	H	L	H1
		mm	mm	mm	mm	mm	mm	mm
<b>GP Series</b>								
GP - 106	6mm x 1R	7	20	-	38	30	47	12.5
GP - 110	10mm x 1R	11	20	-	38	30	47	12.5
GP - 206	6mm x 2R	7	25	5.5	38	30	52	12.5
GP - 210	10mm x 2R	11	30	9	38	30	67	12.5
GP - 306	6mm x 3R	8.5	30	5	38	30	61	12.5
GP - 406	6mm x 4R	8.5	50	5	38	30	80	12.5
<b>GPS Series</b>								
GPS - 210	10mm x 2R	11	19	9	31	26.5	56	12.5
GPS - 212	12mm x 2R	12	19	8	31	30	56	12.5
GPS - 405	5mm x 4R	5.1	19	4.7	31	26.5	56	12.5
GPS - 406	6mm x 4R	7	19	5	31	30	67	12.5
<b>GPB Series</b>								
GPB - 2498*	6mm x 2R	6	-	6	26	31	55	8
GPB - 2499*	10mm x 2R	10.3	-	9.9	26	31	64	8

- All Dimensions are in mm only.
- Tolerance is applicable as per DIN Standard 2768.

----- *Global Commitment*