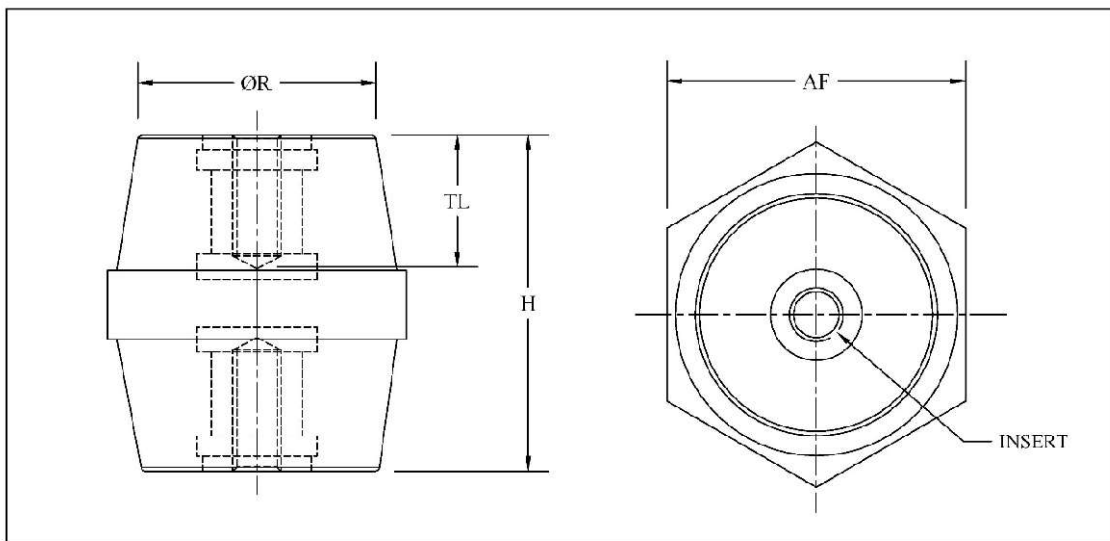


Hexagonal Standoff Insulators

Hexagonal standoff insulators available in both Metric & UNC Threads & in variety of heights & inserts, Male-Female & Male-Male Inserts combination.

Our Insulators are moulded from a flame retardant and track resistance glass reinforced Thermoset Polyester compound recognized to use for current carrying devices under UL Material Recognition No. E249670 & products are itself certified under UL Product Recognition no. E314972.

- Glow Wire Test - 960 °C
- Self-Extinguishing, UL 94 V0 Rated
- Non-Hygroscopic Material
- Halogen Free
- Operating Temperature range from (-) 40°C to 130°C.



PART NAME	Dimensions				Nominal Voltage (AC/DC)
	Height (H)	AF	Ø R	TL	
(Insert)	mm	mm	mm	mm	
H420(M4)	20	18	14	5	800/1100
H520(M5)	20	18	14	5	800/1100
H620(M6)	20	18	14	5	800/1100
H425(M4)	25	21	16	7	1000/1400
H525(M5)	25	21	16	7	1000/1400
H62125(M6)	25	21	16	7	1000/1400
H625(M6)	25	25	22	7	1000/1400
H825(M8)	25	33	25	7	1000/1400
H630(M6)	30	32	25	9	1200/1600
H830(M8)	30	32	25	9	1200/1600
H1030(M10)	30	32	25	9	1200/1600
H635(M6)	35	32	26	12	1400/1900
H835(M8)	35	32	26	12	1400/1900
H1035(M10)	35	32	26	12	1400/1900

H640(M6)	40	39	30	12	1600/2200
H840(M8)	40	39	30	12	1600/2200
H1040(M10)	40	39	30	12	1600/2200
H645(M6)	45	40	32	12	1800/2500
H845(M8)	45	40	32	12	1800/2500
H1045(M10)	50	40	32	12	1800/2500
H650(M6)	50	46	36	17	2000/2800
H850(M8)	50	46	36	17	2000/2800
H1050(M10)	50	46	36	17	2000/2800
H1250(M12)	50	46	36	17	2000/2800
ENH1250(M12)	50	46	36	17	2000/2800
H860(M8)	60	50	38	17	2400/3300
H1060(M10)	60	50	38	17	2400/3300
H1260(M12)	60	50	38	17	2400/3300
ENH1660(M16)	60	50	38	17	2400/3300
H865(M8)	65	55	41	17	2600/3600
H1065(M10)	65	55	41	17	2600/3600
H1265(M12)	65	55	41	17	2800/3900
H1070(M10)	70	55	41	22	2800/3900
H1270(M12)	70	55	41	22	2800/3900
H1670(M16)	70	55	41	22	2800/3900
H1075(M10)	75	53	42	22	3000/4200
H1275(M12)	75	53	42	22	3000/4200
H1076E(M10)	76	48	33	22	3000/4200
H1276E(M12)	76	48	33	22	3000/4200

- All Dimensions are in mm only.
- Tolerance is applicable as per DIN Standard 2768.

-----*Global Commitment*