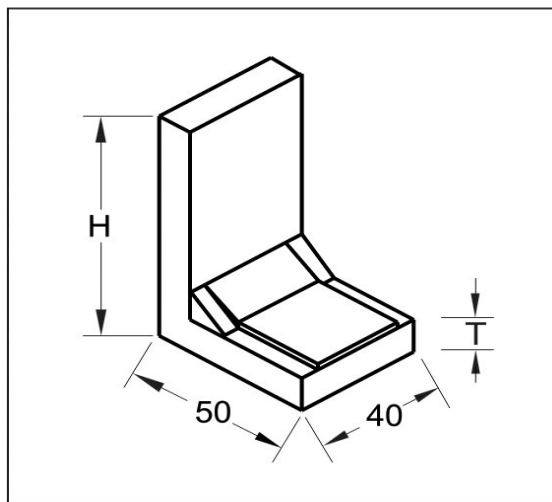


# L Type Busbar Supports

L type Busbar Support offers versatile solution for holding of different busbars width & thickness. It acts as a cantilever support & can use as spacer in between two busbars. It also offers flexibility in fixing of busbars at desired location.

Our Busbar Supports are moulded from a flame retardant and track resistance glass reinforced Thermoset Polyester compound recognized to use for current carrying devices under UL Material Recognition No. E249670.

- Glow Wire Test - 960 °C
- Self-Extinguishing, UL 94 V0 Rated
- Non-Hygroscopic Material
- Halogen Free
- Operating Temperature range from (-) 40°C to 130°C.



Dimensions		
Height (H) mm	POWERMAT code	Thickness (T) mm
60	L 60	10
85	L 85	10
100	L 100	10
125	L 125	10
150	L 150	12

- All Dimensions are in mm only.
- Tolerance is applicable as per DIN Standard 2768.

----- *Global Commitment*