

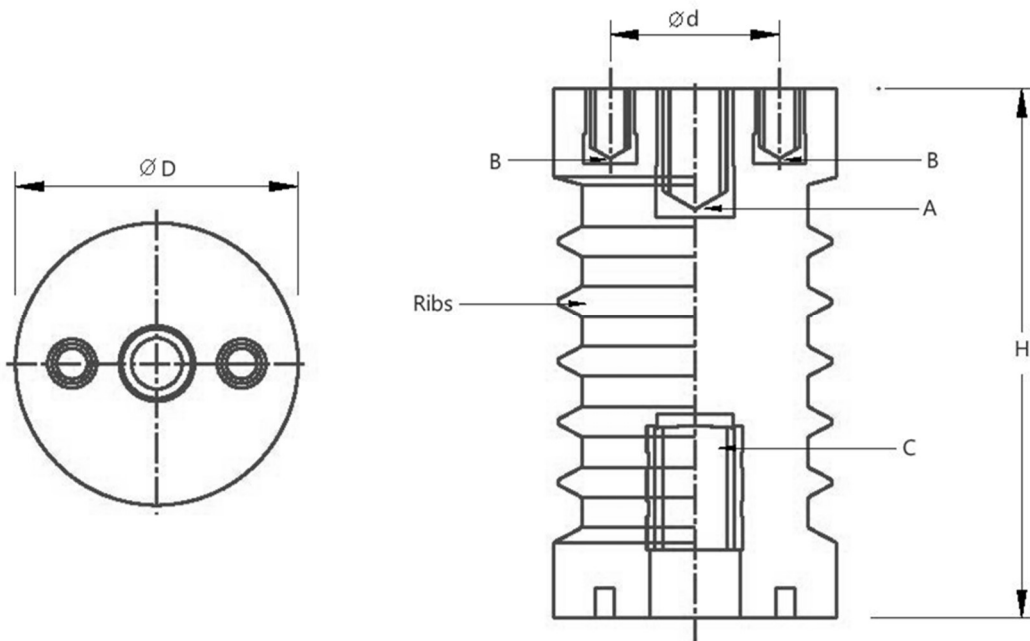
Medium Voltage Standoff Insulators

We offer wide range of Medium Voltage standoff insulators for Indoor Application & available in both. Metric & UNC Threads, in variety of heights & different types of insert materials.

Our Insulators are moulded from a flame retardant and track resistance glass reinforced Thermoset Polyester compound recognized to use for current carrying devices under UL MATERIAL RECOGNITION NO. E249670 & products are itself certified under UL PRODUCT RECOGNITION NO. E 314972.

Our Insulators are manufactured and tested as per IS/BS/IEC and other international standards to suit various testing requirements in range of 3.3 kV to 66 KV system voltage.

- Glow Wire Test - 960 °C
- Self-Extinguishing, UL 94 V0 Rated
- Non-Hygroscopic Material
- Halogen Free
- Operating Temperature range from (-) 40°C to 130°C.



Part Code	Height (mm)	Voltage Rating (KV)	Ribs	Creepage (mm)	Ø D(mm)	Ø d (mm)	Inserts		
							A	B	C
MV 5035	35	1.6	4	48	50	25	-	M08 X 15 Lg	C = B
MV7535	35	1.6	4	67	75	30	-	M10 X 15 Lg	C = B
MV 6040	40	3.5	1	55	60	36	M10 X 15 Lg	M08 X 12 Lg	M10 X 15 Lg
MV 4050	50	3.5	1	55	40	-	M10 X 15 Lg	-	M10 X 15 Lg
MV 5050	50	3.5	4	65	50	25	-	M08 X 20 Lg	C = B
MV 7550	50	3.5	4	82	75	30	-	M10 X 20 Lg	C = B
MV 5560	60	5.5	1	78	55	28	-	M08 X 15 Lg	C = B
MV 606560	60	5.5	2	90	60/65	36	M12 X 20 Lg	M08 X 20 Lg	M12 X 20 Lg
MV 859060	60	5.5	2	90	85/90	60	M16 X 20 Lg	M10 X 20 Lg	M16 X 20 Lg
MV6075	75	6.8	2	112	60	36	M10 X 20 Lg	M06 X 15 Lg	M12 X 25 Lg

PDMV 6075	75	6.8	2	112	60	36	M10 X 20 Lg	M08 X 15 Lg	M12 X 25 Lg
MV 9580	80	6.8	1	92	90	55	-	M10 X 20 Lg	M16 X 30 Lg
MV 7590	90	8.5	3	132	75	40	M10 X 20 Lg	2 X M08 X 15 Lg	C = A,B
MV 6090	90	8.5	3	140	60	36	M10 X 20 Lg	M06 X 15 Lg	M12 X 25 Lg
PDMV 6090	90	8.5	3	140	60	36	M10 X 20 Lg	M08 X 15 Lg	M12 X 25 Lg
MV 9011082	110	12	4	209	82/90	40	-	M10 X 15 Lg	M12 X 20 Lg
MV 60130	130	12	5	200	60	36	M12 X 25 Lg	M06 X 15 Lg	M16 X 35 Lg
PDMV 60130	130	12	5	200	60	36	M12 X 25 Lg	M08 X 15 Lg	M16 X 35 Lg
MV 75130	130	12	5	215	75	45	M16 X 35 Lg	M10 X 20 Lg	M20 X 35 Lg
MV 75130/2	130	12	5	215	75	45	M12 X 35 Lg	M08 X 20 Lg	A=B
MV 75130/7	130	12	5	256	75	45	M16 X 35 Lg	M10 X 20 Lg	M20 X 40 Lg
MV 90130	130	12	7	372	90	36	-	M16 X 35 Lg	M20 X 40 Lg
MV 8614580	145	16	7	260	80/86	40	-	M10 X 15 Lg	M12 X 20 Lg
MV 90150	150	16	7	392	90	36	-	M16 X 35 Lg	M20 X 40 Lg
MV 70210	210	22	9	285	70	36	M10 X 25 Lg	M06 X 15 Lg	M16 X 55 Lg
PDMV 70210	210	22	9	285	70	36	M10 X 25 Lg	M08 X 15 Lg	M16 X 55 Lg
MV 70210/2	210	22	9	285	70	36	M12 X 25 Lg	M08 X 20 Lg	A=B
MV 80300	300	33	12	450	80	36	M10 X 25 Lg	M06 X 15 Lg	M16 X 75 Lg
PDMV 80300	300	33	12	450	80	36	M10 X 25 Lg	M08 X 15 Lg	M16 X 75 Lg
MV 95300	300	33	12	630	95	46	M16 X 55 Lg	M10 X 20 Lg	M22 X 65 Lg

- All Dimensions are in mm only.
- Tolerance is applicable as per DIN Standard 2768.

-----*Global Commitment*