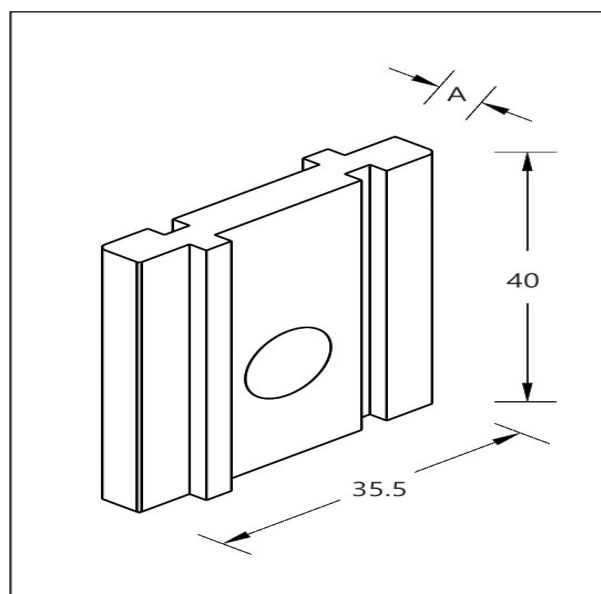
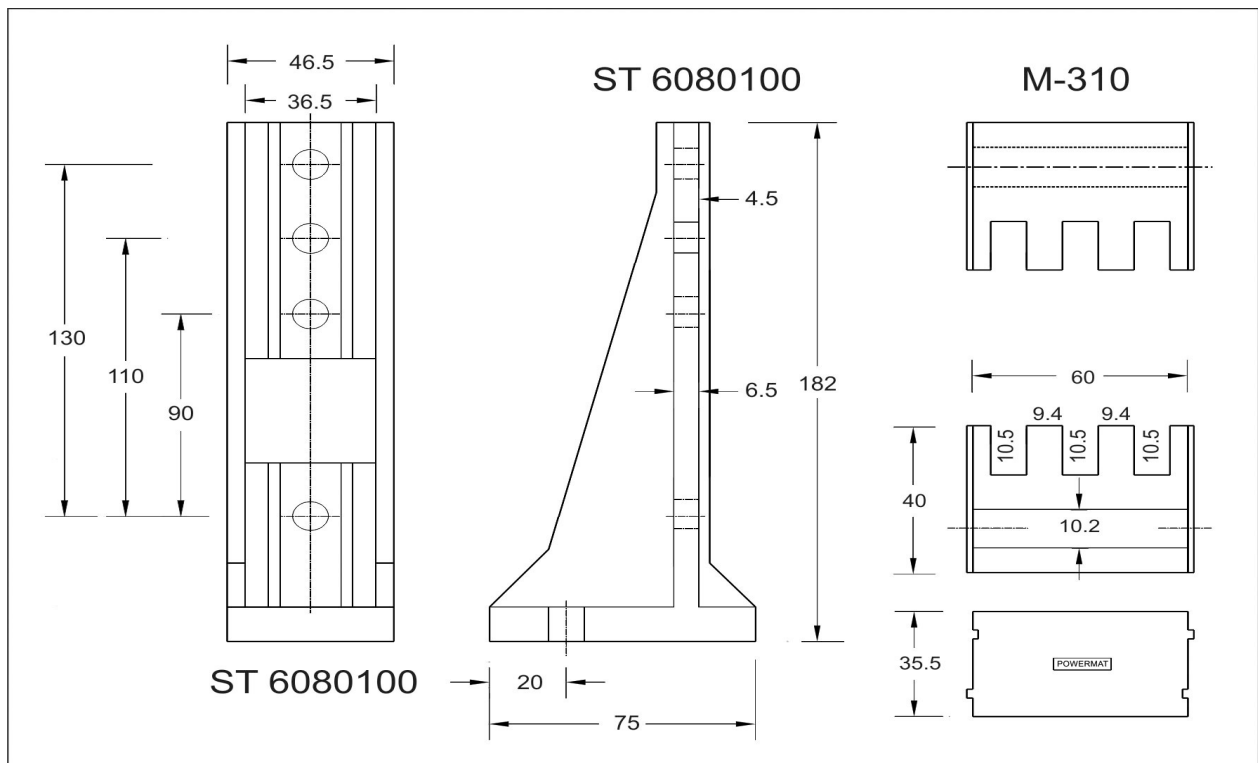


# Modular Supports

Modular Busbar supports provides a Modular fixed solution for holding the 10mm busbars with varying option of changing Centre to Centre phase distance.

Our Busbar Supports are moulded from a flame retardant and track resistance glass reinforced Thermoset Polyester compound recognized to use for current carrying devices under UL Material Recognition No. E249670.

- Glow Wire Test - 960 °C
- Self-Extinguishing, UL 94 V0 Rated
- Non-Hygroscopic Material
- Halogen Free
- Operating Temperature range from (-) 40°C to 130°C.



Dimensions	
POWERMAT code	A
SPM – 310 – 05	5
SPM – 310 – 10	10
SPM – 310 – 15	15

- All Dimensions are in mm only.
- Tolerance is applicable as per DIN Standard 2768.