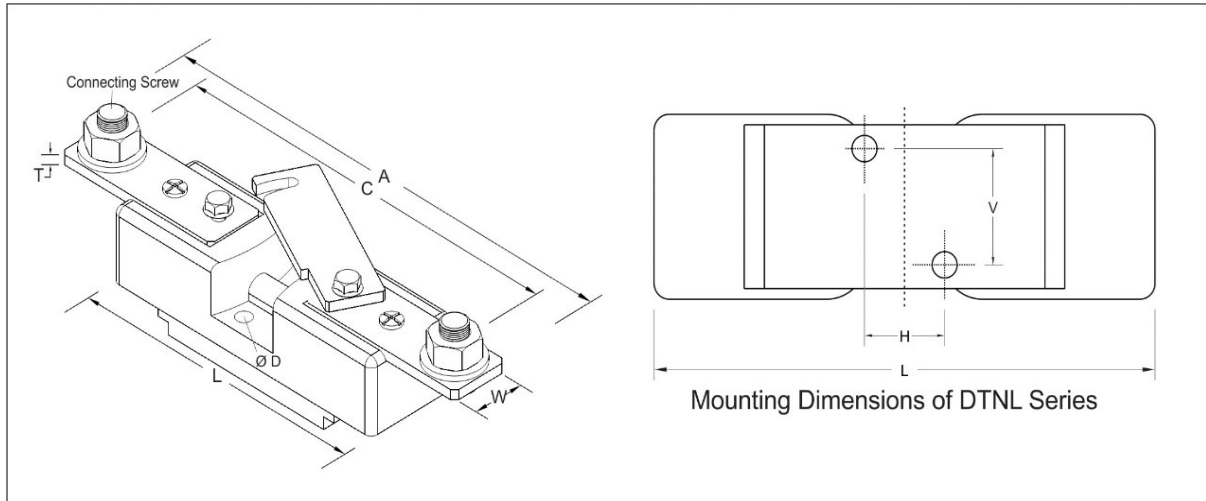


Neutral Links

Neutral links are utilised as the terminating point for neutral wires in a typical electrical circuit and can vary in construction depending on the number of neutral terminations. We offer Neutral links from 32 ampere to 600 ampere rating.



POWERMAT Code	Dimension								
	A	C	W	L	T	C. Screw	Ø D	H	V
DTNL 32 Amp	65	57	10	65	2	M 4	5	10.8	6
DTNL 63 Amp	78	67	12	78	2	M 5	5	11	10
DTNL 100 Amp	78	67	12	78	2.5	M 5	5	11	10
DTNL 125 Amp	128	114	16	100	3	M 6	5.5	6	20
DTNL 200 Amp	160	138	20	100	3	M 8	5.5	6	20
DTNL 400 Amp	200	174	25	125	5	M 10	5.5	26	25
DTNL 600 Amp	240	210	38	140	6	M 10	6	24	24

- All Dimensions are in mm only.
- Tolerance is applicable as per DIN Standard 2768.

----- *Global Commitment*