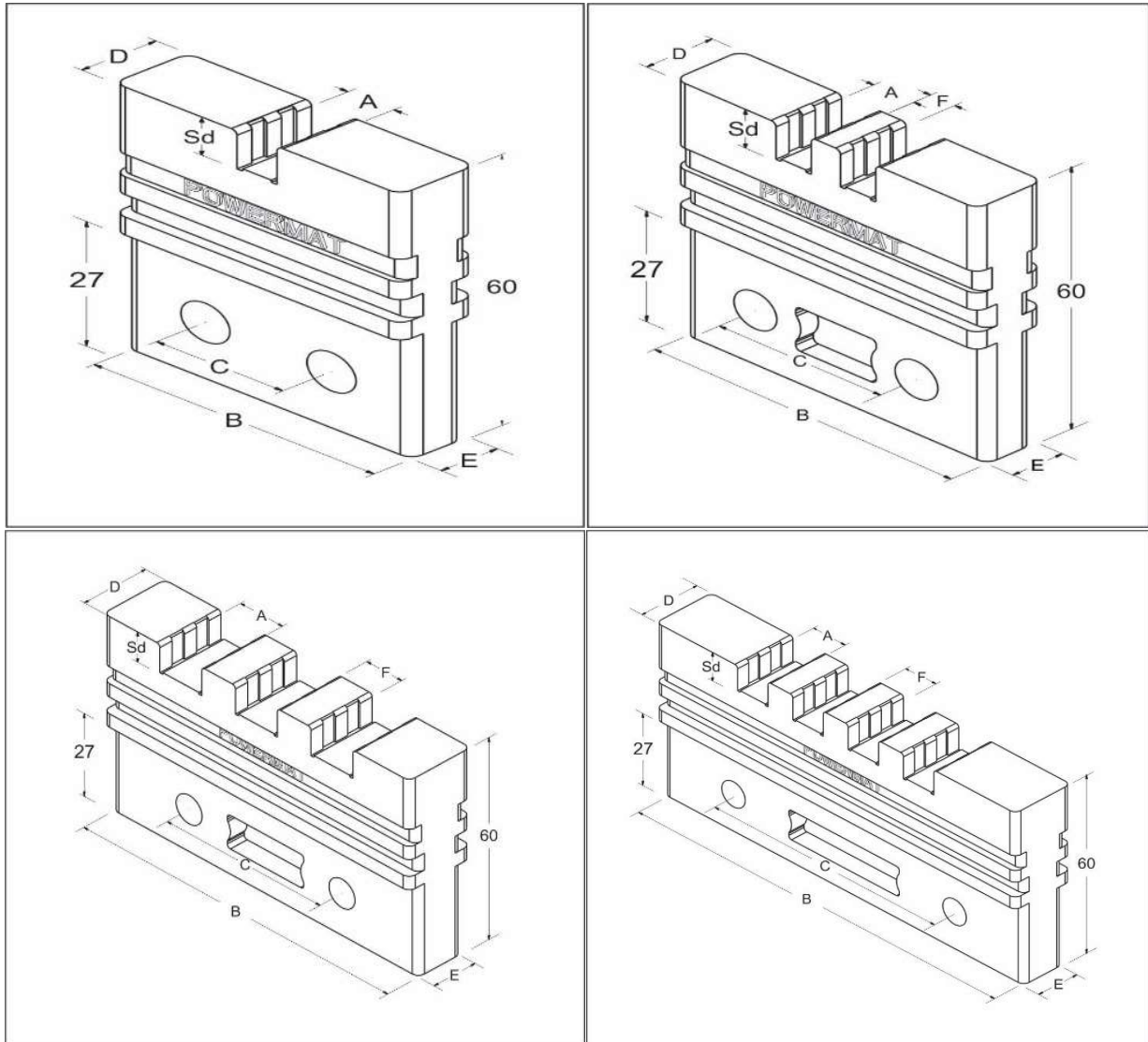


Polyamide Finger type Busbar Supports

Polyamide Finger type Busbar Support offers versatile solution for higher short circuit rating and can hold Single Run to Multiple Runs of 6.0mm, 10mm & 12mm Busbars.

- Glow Wire Test - 960 °C
- Self-Extinguishing, UL 94 V0 Rated
- Halogen Free
- Operating Temperature range from (-) 40°C to 130°C.



N1 Series

Busbar	POWERMAT Code	Dimension						
		A	B	C	D	E	F	Sd
6mm x 1 run	106 N1	7	50	22	13	9	-	8
10mm x 1 run	110 N1	11	50	22	13	9	-	8
12mm x 1 run	112 N1	13.7	50	22	13	9	-	8

N3 Series

Busbar	POWERMAT Code	Dimension						
		A	B	C	D	E	F	Sd
6mm x 1 run	106 N3	7	60	32	13	9	-	8
10mm x 1 run	110 N3	11	60	32	13	9	-	8
12mm x 1 run	112 N3	13.7	60	32	13	9	-	8
6mm x 2 runs	206 N3	7	60	32	13	9	5.8	8
10mm x 2 runs	210 N3	11	60	32	13	9	9	8
12mm x 2 runs	212 N3	13.7	60	32	13	9	11.8	8

N4 Series

Busbar	POWERMAT Code	Dimension						
		A	B	C	D	E	F	Sd
10mm x 3 runs	310 N4	11	85	50	13	9	9	8
12mm x 3 runs	312 N4	13.7	85	50	13	9	11	8
6mm x 4 runs	406 N4	7	85	50	13	9	5.6	8

N5 Series

Busbar	POWERMAT Code	Dimension						
		A	B	C	D	E	F	Sd
6mm x 1 run	106 N5	7	70	40	20	14	-	8
10mm x 1 run	110 N5	11	70	40	20	14	-	8
12mm x 1 run	112 N5	13.7	70	40	20	14	-	8
6mm x 2 runs	206 N5	7	70	40	20	14	5.8	8
10mm x 2 runs	210 N5	11	70	40	20	14	9	8
12mm x 2 runs	212 N5	13.7	70	40	20	14	11	8
6mm x 3 runs	306 N5	7	70	40	20	14	5.8	8

N7 Series

Busbar	POWERMAT Code	Dimension						
		A	B	C	D	E	F	Sd
10mm x 3 runs	310 N7	11	100	50	20	14	9	8
12mm x 3 runs	312 N7	13.7	100	50	20	14	11	8
6mm x 4 runs	406 N7	7.2	100	50	20	14	5.6	8
6mm x 6 runs	606 N7	7.2	100	50	20	14	5	8

N9 Series

Busbar	POWERMAT Code	Dimension						
		A	B	C	D	E	F	Sd
10mm x 4 runs	410 N9	11	130	80	20	14	9	8
12mm x 4 runs	412 N9	13.7	130	80	20	14	11	8

- All Dimensions are in mm only.
- Tolerance is applicable as per DIN Standard 2768.

----- *Global Commitment*