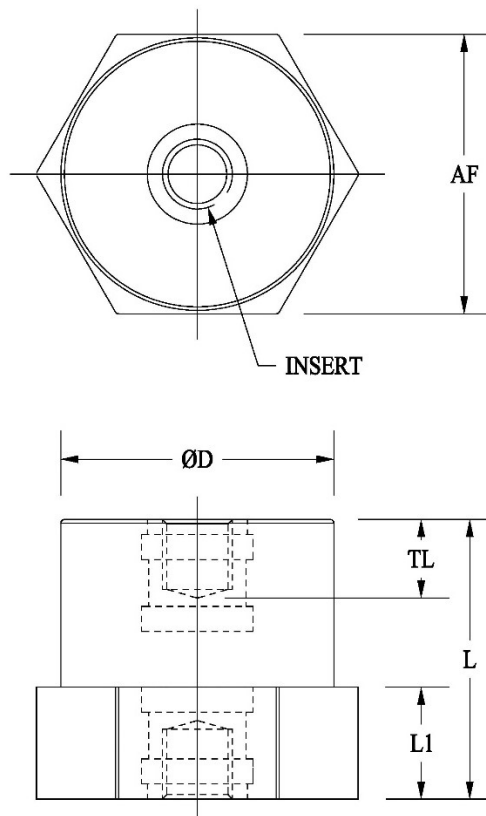


Polyamide Round Hexagonal Standoff Insulators

Polyamide Round Hexagonal standoff insulators available in both Metric & UNC Threads & in variety of heights & inserts, Male-Female & Male-Male Inserts combination.

Our Insulators are moulded from a flame retardant and track resistance glass reinforced Thermoset Polyester compound recognized to use for current carrying devices under UL products Recognition No. E314972.

- Glow Wire Test - 960 °C
- Self-Extinguishing, UL 94 V0 Rated
- Halogen Free
- Operating Temperature range from (-) 40°C to 130°C.



PARH Series (AF-21 mm)						
Part No.	Height (L)	Top Dia	AF	L1	TL	Nominal Voltage (AC/DC)
(Insert)	mm	ØD, mm	(mm)	(mm)	mm	Volts
PA 21RH520(M5)	20	20	21	8.5	5	1100/1500
PA21RH525(M5)	25	20	21	8.5	8.5	1400/1900
PA21RH530 (M5)	30	20	21	8.5	8.5	1600/2200
PA21RH535 (M5)	35	20	21	8.5	8.5	1900/2600
PA21RH540 (M5)	40	20	21	8.5	8.5	2200/3000
PA21RH545 (M5)	45	20	21	8.5	8.5	2500/3500
PA21RH550 (M5)	50	20	21	8.5	8.5	2800/3900
PA 21RH620(M6)	20	20	21	8.5	5	1100/1500
PA21RH625(M6)	25	20	21	8.5	7	1400/1900
PA21RH630 (M6)	30	20	21	8.5	9	1600/2200

PA21RH635(M6)	35	20	21	8.5	12	1900/2600
PA21RH640 (M6)	40	20	21	8.5	12	2200/3000
PA21RH645 (M6)	45	20	21	8.5	12	2500/3500
PA21RH650 (M6)	50	20	21	8.5	12	2800/3900
PA 21RH820(M8)	20	20	21	8.5	5	1100/1500
PA21RH825(M8)	25	20	21	8.5	7	1400/1900
PA21RH830 (M8)	30	20	21	8.5	9	1600/2200
PA21RH835 (M8)	35	20	21	8.5	12	1900/2600
PA21RH840 (M8)	40	20	21	8.5	12	2200/3000
PA21RH845 (M8)	45	20	21	8.5	12	2500/3500
PA21RH850 (M8)	50	20	21	8.5	17	2800/3900
PARH Series (AF-30 mm)						
PA30RH630(M6)	30	29	30	8.5	9	1600/2200
PA30RH635(M6)	35	29	30	8.5	12	1900/2600
PA30RH640(M6)	40	29	30	8.5	12	2200/3000
PA30RH645(M6)	45	29	30	8.5	12	2500/3500
PA30RH650(M6)	50	29	30	8.5	12	2800/3900
PA30RH655(M6)	55	29	30	8.5	12	2800/3900
PA30RH660(M6)	60	29	30	8.5	12	3300/4600
PA30RH665(M6)	65	29	30	8.5	12	3300/4600
PA30RH670(M6)	70	29	30	8.5	12	3900/5400
PA30RH830(M8)	30	29	30	8.5	9	1600/2200
PA30RH835(M8)	35	29	30	8.5	12	1900/2600
PA30RH840(M8)	40	29	30	8.5	12	2200/3000
PA30RH845(M8)	45	29	30	8.5	12	2500/3500
PA30RH850(M8)	50	29	30	8.5	17	2800/3900
PA30RH855(M8)	55	29	30	8.5	17	2800/3900
PA30RH860(M8)	60	29	30	8.5	17	3300/4600
PA30RH865(M8)	65	29	30	8.5	17	3300/4600
PA30RH870(M8)	70	29	30	8.5	22	3900/5400

- All Dimensions are in mm only.
- Tolerance is applicable as per DIN Standard 2768

-----*Global Commitment*