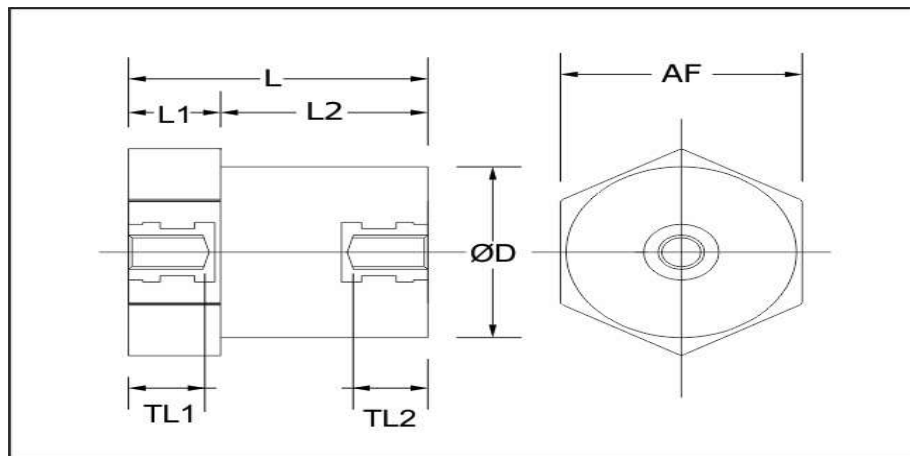


RH Series (Female - Female Combination) Standoff Insulators

RH Series (Female – Female Combination) standoff insulators are widely used as spacers for holding electronics circuit boards & work as insulation barrier between two conductive parts.

Our Insulators are moulded from a flame retardant and track resistance glass reinforced Thermoset Polyester compound recognized to use for current carrying devices under UL MATERIAL RECOGNITION NO. E249670 & products are itself certified under UL PRODUCT RECOGNITION NO. E 314972.

- Glow Wire Test - 960 °C
- Self-Extinguishing, UL 94 V0 Rated
- Non-Hygroscopic Material
- Halogen Free
- Operating Temperature range from (-) 40°C to 130°C.



Part No	Dimension						
	AF	Ø D	L	L1	L2	TL1	TL2
	mm	mm	mm	mm	mm	mm	mm
Hex Face to Face (A/F 21mm)							
RH21.26-HF6.07RF6.07	21	20	26	8	18	M6X7	M6X7
RH21.26-HF8.07RF8.07	21	20	26	8	18	M8X7	M8X7
RH21.35-HF8.07RF8.07	21	20	35	17	18	M8X7	M8X7
RH21.35-HF8.09RF8.09	21	20	35	17	18	M8X9	M8X9

- All Dimensions are in mm only.
- Tolerance is applicable as per DIN Standard 2768.

-----*Global Commitment*