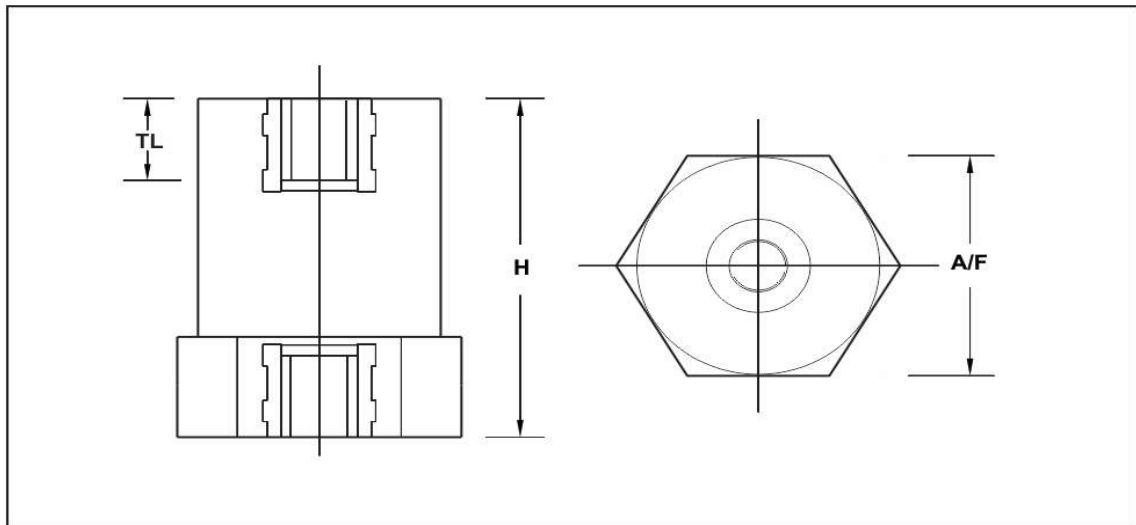


Round Hex Standoff Insulators

Round Hex standoff insulators available in both Metric & UNC Threads & in variety of heights & inserts, Male-Female & Male-Male Inserts combination.

Our Insulators are moulded from a flame retardant and track resistance glass reinforced Thermoset Polyester compound recognized to use for current carrying devices under UL Material Recognition No. E249670 & products are itself certified under UL Product Recognition No. E314972.

- Glow Wire Test - 960 °C
- Self-Extinguishing, UL 94 V0 Rated
- Non-Hygroscopic Material
- Halogen Free
- Operating Temperature range from (-) 40°C to 130°C.



Part No.	Dimensions		Nominal Voltage
	Height	TL	
(Insert)	(H) mm	(mm)	(AC/DC)
Hex Face to Face (A/F 20mm)			
20RH 520 (M5)	20	5	800/1100
20RH 525 (M5)	25	7	1000/1400
20RH 620 (M6)	20	5	800/1100
20RH 625 (M6)	25	7	1000/1400
20RH 630 (M6)	30	7	1200/1600
20RH 635 (M6)	35	12	1400/1900
20RH 640 (M6)	40	12	1600/2200
20RH 645 (M6)	45	12	1800/2500
20RH 650 (M6)	50	12	2000/2800
20RH 530 (M5)	30	9	1200/1600
20RH 540 (M5)	40	9	1600/2200
20RH 820 (M8)	20	5	800/1100
20RH 825 (M8)	25	7	1000/1400
20RH 830 (M8)	30	9	1200/1600

20RH 835 (M8)	35	12	1400/1900
20RH 840 (M8)	40	12	1600/2200
20RH 845 (M8)	45	12	1800/2500
20RH 850 (M8)	50	17	2000/2800
Hex Face to Face (A/F 30mm)			
30RH 670 (M6)	70	12	2800/3900
30RH 830 (M8)	30	9	1200/1600
30RH 835 (M8)	35	12	1400/1900
30RH 840 (M8)	40	12	1600/2200
30RH 850 (M8)	50	17	2000/2800
30RH 1030 (M10)	30	9	1200/1600
30RH 1035 (M10)	35	12	1400/1900
30RH 1040 (M10)	40	12	1600/2200
30RH 855 (M8)	55	17	2000/2800
30RH 860 (M8)	60	17	2400/3300
30RH 865 (M8)	65	17	2600/3600
30RH 870 (M8)	70	22	2800/3900
30RH 1050 (M10)	50	17	2000/2800
30RH 1055 (M10)	55	17	2000/2800
Hex Face to Face (A/F 40mm)			
40RH 1030 (M10)	30	9	1200/1600
40RH 1035 (M10)	35	12	1400/1900
40RH 1040 (M10)	40	12	1600/2200
40RH 1045 (M10)	45	12	1800/2500
40RH 1050 (M10)	50	17	2000/2800
40RH 1055 (M10)	55	17	2200/3000
40RH 1060 (M10)	60	17	2400/3300
40RH 1065 (M10)	65	17	2600/3600
40RH 1070 (M10)	70	22	2800/3900
40RH 1240 (M12)	40	12	1600/2200
40RH 1245 (M12)	45	12	1800/2500
40RH 1250 (M12)	50	17	2000/2800
40RH 1255 (M12)	55	17	2200/3000
40RH 1260 (M12)	60	17	2400/3300
40RH 1265 (M12)	65	17	2600/3600
40RH 1270 (M12)	70	22	2800/3900
Hex Face to Face (A/F 60mm)			
60RH 1040 (M10)	40	12	1600/2200
60RH 1050 (M10)	50	17	2000/2800
60RH 1060 (M10)	60	17	2400/3300
60RH 1070 (M10)	70	22	2800/3900
60RH 1650 (M16)	50	17	2000/2800
60RH 1660 (M16)	60	17	2400/3300

60RH 1670 (M16)	70	22	2800/3900
60RH 1680 (M16)	80	26	3200/4400
60RH 1240 (M12)	40	12	1600/2200
60RH 1250 (M12)	50	17	2000/2800
60RH 1260 (M12)	60	17	2400/3300
60RH 1270 (M12)	70	22	2800/3900
60RH 1280 (M12)	80	22	3200/4400

- All Dimensions are in mm only.
- Tolerance is applicable as per DIN Standard 2768.

-----*Global Commitment*