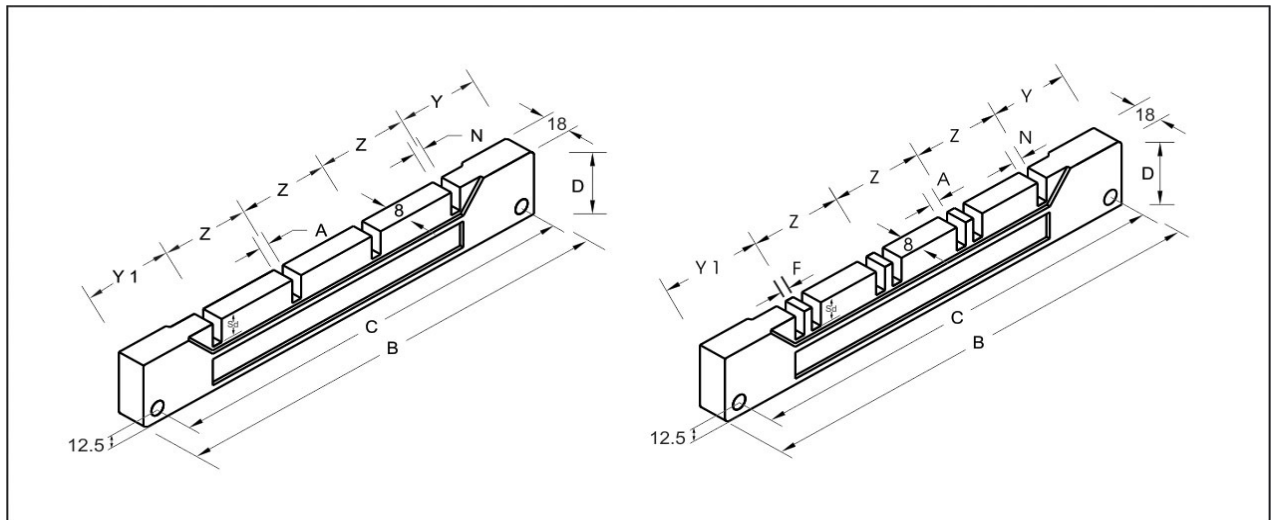


# TPN Busbar Supports

TPN Busbar Supports are available in variety of fixed configuration and are available to hold different busbars and no of runs per phase.

Our Busbar Supports are moulded from a flame retardant and track resistance glass reinforced Thermoset Polyester compound recognized to use for current carrying devices under UL Material Recognition No. E249670.

- Glow Wire Test - 960 °C
- Self-Extinguishing, UL 94 V0 Rated
- Non-Hygroscopic Material
- Halogen Free
- Operating Temperature range from (-) 40°C to 130°C.



Busbar	POWERMA T Code	Dimension									
		A	B	C	D	N	Z	Y1	Y	F	S d
6mm x 1run/ph. & 6mm x 1 run/N	TPN 107/30	7	300	280	50	7	65	52.5	52.5	-	15
10mm x 1run/ph. & 6mm x 1 run/N	TPN 111/30	11	300	280	50	7	65	52.5	52.5	-	15
12mm x 1run/ph. & 6mm x 1 run/N	TPN 114/30	13.7	300	280	50	7	65	52.5	52.5	-	15
6mm x 1run/ph. & 6mm x 1 run/N	TPN 107/35	7	350	328	50	7	75	62.5	62.5	-	15
10mm x 1run/ph. & 6mm x 1 run/N	TPN 111/35	11	350	328	50	7	75	62.5	62.5	-	15
12mm x 1run/ph. & 6mm x 1 run/N	TPN 114/35	13.7	350	328	50	7	75	62.5	62.5	-	15
6mm x 1run/ph. & 6mm x 1 run/N	TPN 107/42	7	420	396	60	7	100	68	52	-	15
10mm x 1run/ph. & 6mm x 1 run/N	TPN 111/42	11	420	396	60	7	100	68	52	-	15
12mm x 1run/ph. & 6mm x 1 run/N	TPN 114/42	13.7	420	396	60	7	100	68	52	-	15
6mm x 1run/ph. & 6mm x 1 run/N	TPN 107/55	7	550	525	60	7	125	100	75	-	15
10mm x 1run/ph. & 6mm x 1 run/N	TPN 111/55	11	550	525	60	7	125	100	75	-	15
12mm x 1run/ph. & 6mm x 1 run/N	TPN 114/55	13.7	550	525	60	7	125	100	75	-	15
6mm x 2runs/ph. & 6mm x 1 run/N	TPN 207/35	7	350	328	50	7	70	78	62	5.8	15
10mm x 2runs/ph. & 10mm x 1 run/N	TPN 211/35	11	350	328	50	11	70	78	62	9	15
12mm x 2runs/ph. & 12mm x 1 run/N	TPN 214/35	13.7	350	328	50	13.7	70	78	62	11	15
6mm x 2runs/ph. & 6mm x 1 run/N	TPN 207/42	7	420	396	60	7	100	68	52	5.8	15
10mm x 2runs/ph. & 10mm x 1 run/N	TPN 211/42	11	420	396	60	77	100	68	52	9	15

12mm x 2runs/ph. & 12mm x 1 run/N	TPN 214/42	13.7	420	396	60	13.7	100	68	52	11	15
6mm x 2runs/ph. & 6mm x 1 run/N	TPN 207/55	7	550	525	60	7	125	100	75	5.8	15
10mm x 2runs/ph. & 10mm x 1 run/N	TPN 211/55	11	550	525	60	11	125	100	75	9	15
12mm x 2runs/ph. & 12mm x 1 run/N	TPN 214/55	13.7	550	525	60	13.7	125	100	75	11	15
6mm x 3 runs/ph.	TP 306/35	6	350	328	50	-	100	75	75	4.5	15
10mm x 2 runs/ph.	TP 211/35	11	350	328	50	-	100	75	75	9	15

- All Dimensions are in mm only.
- Tolerance is applicable as per DIN Standard 2768.

----- *Global Commitment*