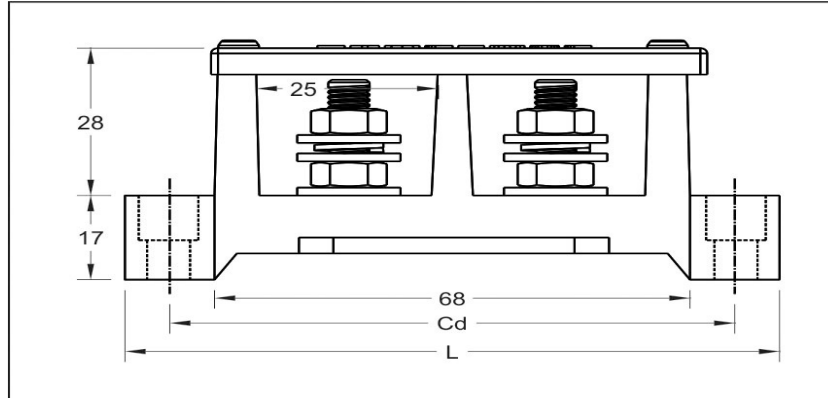
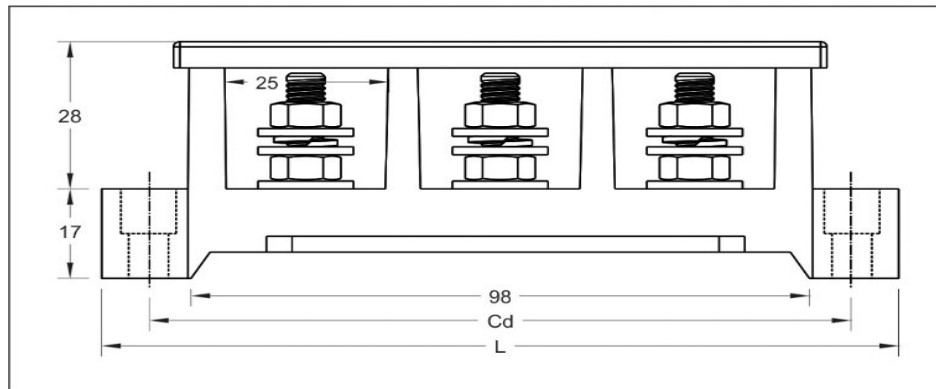


Terminal Connectors – Single Stud Type

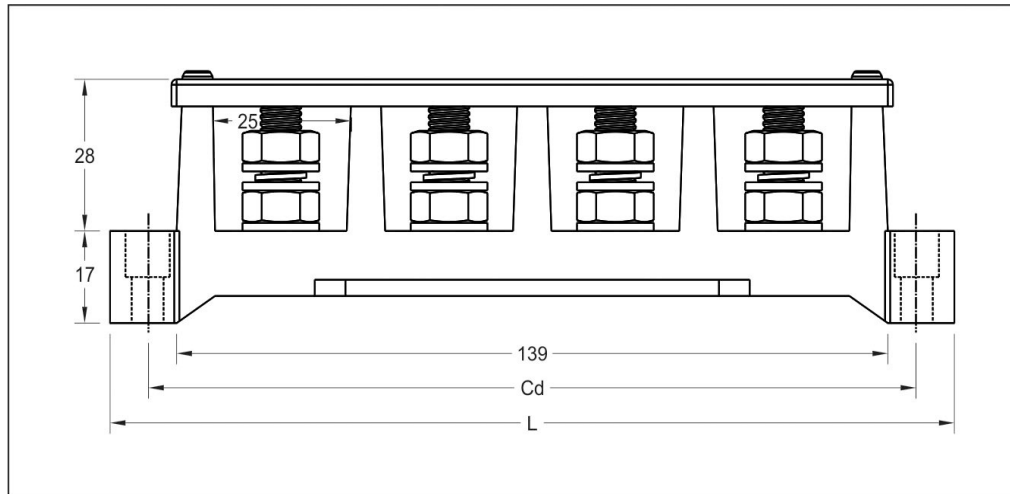
Terminal connectors are available in 2,3 & 4 way & are available in different rating from 63 ampere to 200 ampere. They are used as an electrical hardware and designed to provide safe and aesthetic look for the connection of wires.



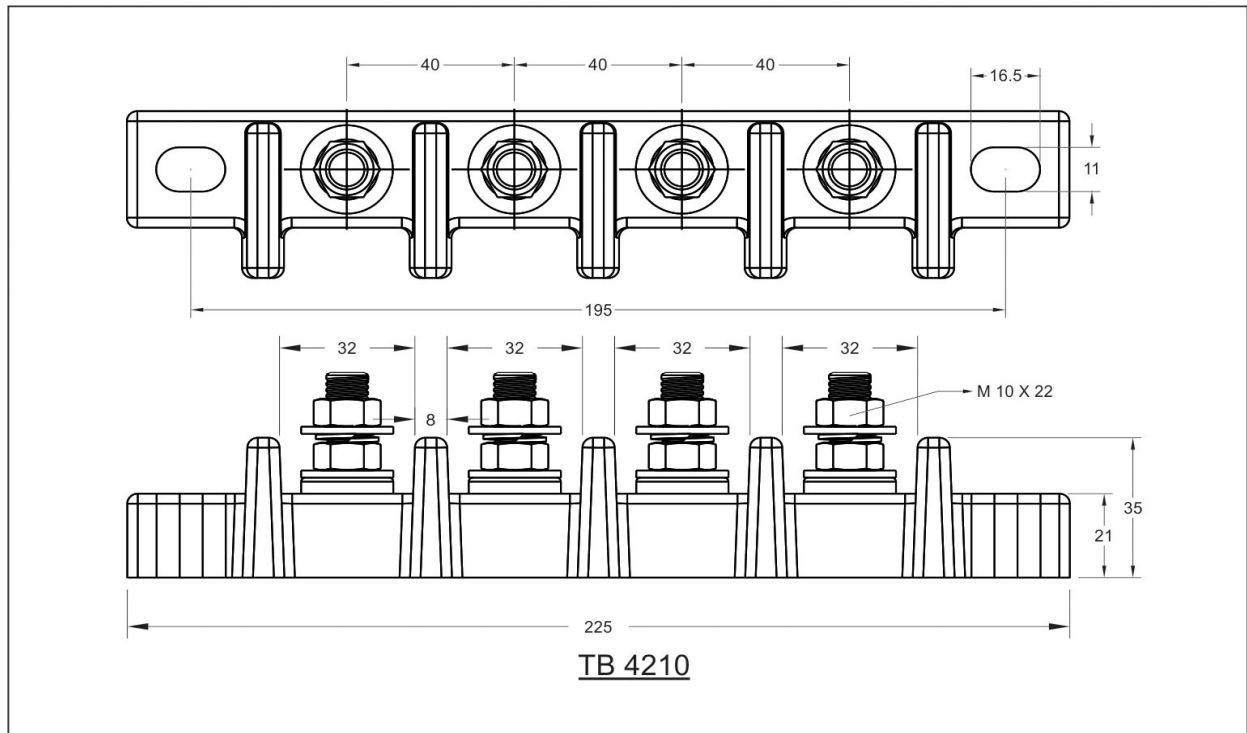
Dimension				
POWERMAT code	Overall Length L	Distance Between Holes Cd	No. of Connectors	Bolt Size
TB 2106 / *TBC 2106 (Suitable for 63 Amp)	95	82	2	M 6 x 27.5 MM
TB 2108 / *TBC 2108 (Suitable for 100 Amp)	95	82	2	M 8 x 27.5 MM

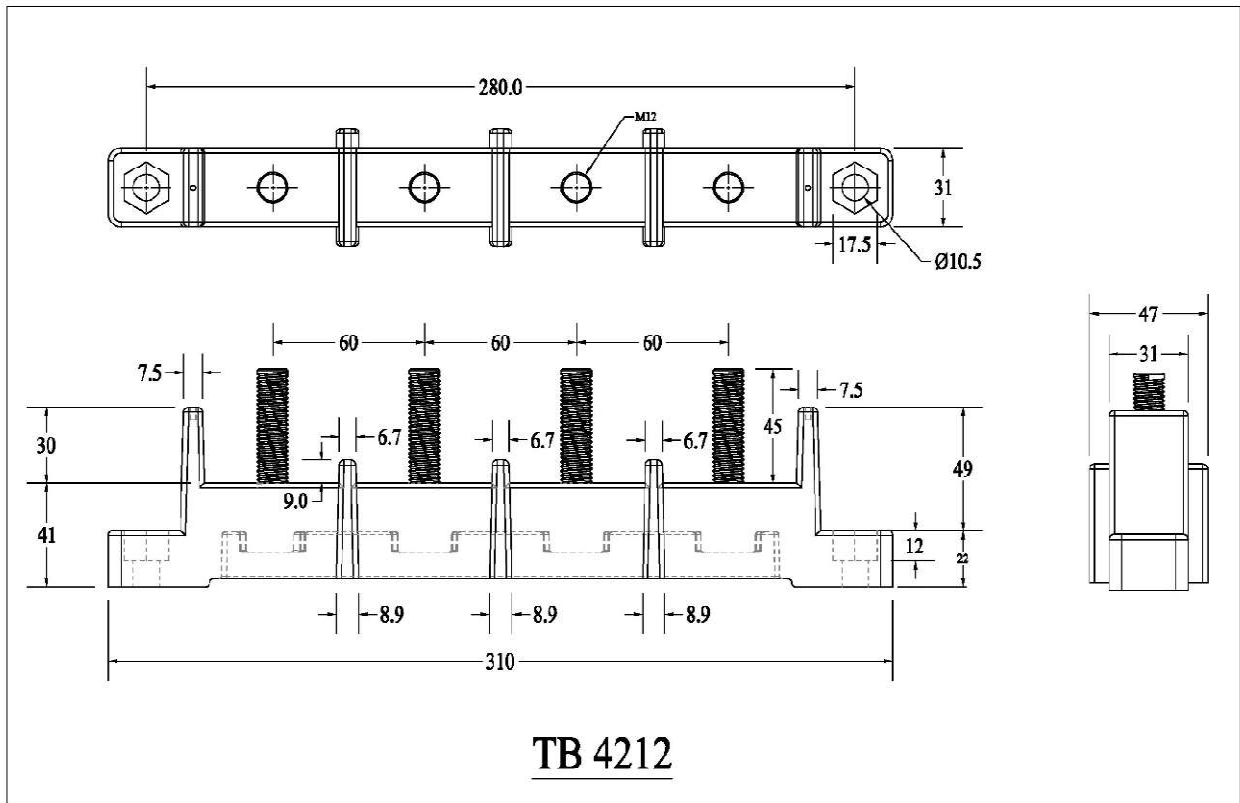


Dimension				
POWERMAT code	Overall Length L	Distance Between Holes Cd	No. of Connectors	Bolt Size
TB 3106 / *TBC 3106 (Suitable for 63 Amp)	125	111	3	M 6 x 27.5 MM
TB 3108 / *TBC 3108 (Suitable for 100 Amp)	125	111	3	M 8 x 27.5 MM



Dimension				
POWERMAT	Overall Length L	Distance Between Holes Cd	No. of Connectors	Bolt Size
TB 4106 / *TBC 4106 (Suitable for 63 Amp)	165	150	4	M 6 x 27.5 MM
TB 4108 / *TBC 4108 (Suitable for 100 Amp)	165	150	4	M 8 x 27.5 MM





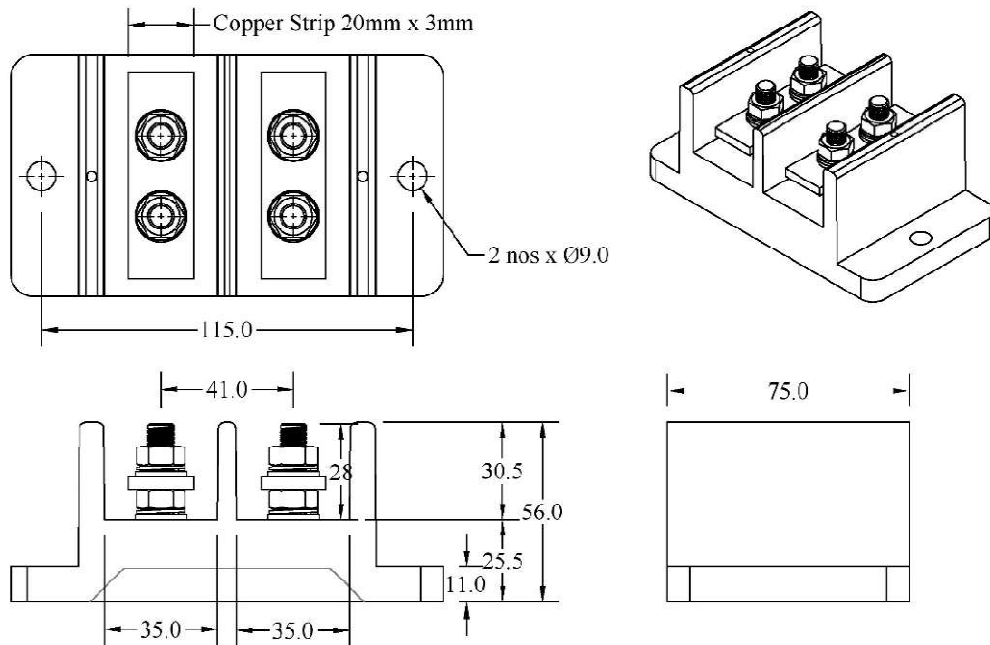
Dimension				
POWERMAT	Overall Length L	Distance Between Holes Cd	No. of Connectors	Bolt Size
TB 4210 / *TBC 4210 (Suitable for 160 Amp)	225	195	4	M 10 x 36 MM
TB 4212 / *TBC 4212 (Suitable for 200 Amp)	310	280	4	M 12 x 45 MM

- All Dimensions are in mm only.
- Tolerance is applicable as per DIN Standard 2768.

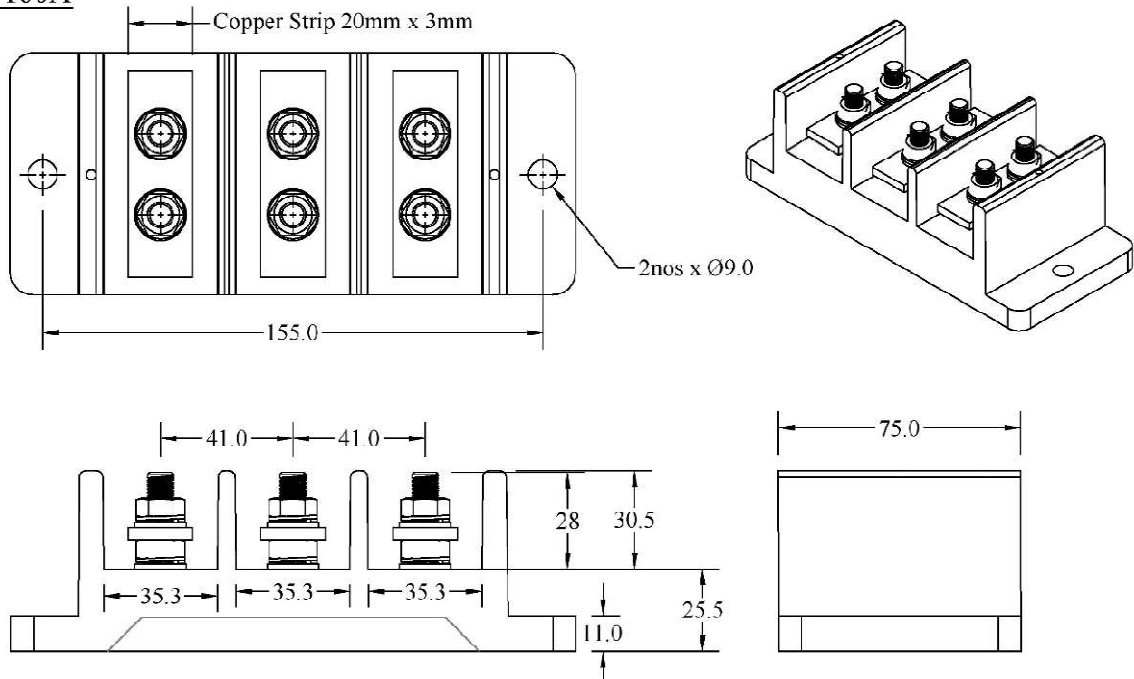
Terminal Connectors-Double Stud Type

Terminal connectors are available in 2,3 & 4 way & are available in different rating from 160 & 200 ampere. They are used as an electrical hardware and designed to provide safe and aesthetic look for the connection of wires.

TC-2W-35-160A



TC-3W-35-160A



TC-4W-35-160A

