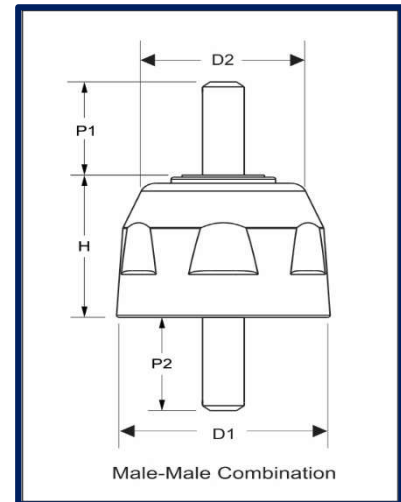
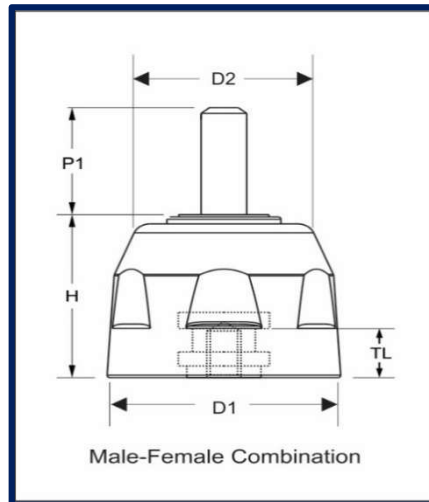
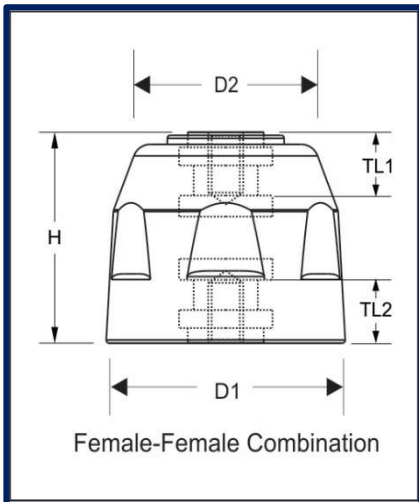


# WT Series Standoff Insulators

WT Standoff insulators available in both Metric & UNC Threads & in variety of heights & inserts, Male-Female & Male-Male Inserts combination.

Our Insulators are moulded from a flame retardant and track resistance glass reinforced Thermoset Polyester compound recognized to use for current carrying devices under UL Material Recognition No. E249670 & products are itself certified under UL Product Recognition No. E314972.

- Glow Wire Test - 960 °C
- Self-Extinguishing, UL 94 V0 Rated
- Non-Hygroscopic Material
- Halogen Free
- Operating Temperature range from (-) 40°C to 130°C.



## WT Female Female Series

Product Code	Dimensions		
	H	TL1	TL2
	(mm)		
WT0515 (M5)	15	M05 x 3.5	M05 x 3.5
WT0626 (M6)	26	M06 x 7.5	M06 x 7
WT0630 (M6)	30	M06 x 09	M06 x 09
WT0830 (M8)	30	M08 x 09	M08 x 09
WT0635 (M6)	35	M06 x 12	M06 x 12
WT0835 (M8)	35	M08 x 12	M08 x 12
WT1035 (M10)	35	M10 x 12	M10 x 12
WT0840 (M8)	40	M08 x 12	M08 x 12
WT1040 (M10)	40	M10 x 10	M10 x 12
WT1050 (M10)	50	M10 x 17	M10 x 17

<b>WT Male Female Series</b>			
Product Code	Dimensions		
	H	P1	TL
	(mm)		
WT0515-M0506.F0503	15	M05 x 06	M05 x 3.5
WT0626-M0610.F0607	26	M06 x 10	M06 x 7.0
WT0630-M0610.F0609	30	M06 x 10	M06 x 09
WT0830-M0810.F0809	30	M08 x 10	M08 x 09
WT0635-M0615.F0612	35	M06 x 15	M06 x 12
WT0835-M0815.F0812	35	M08 x 15	M08 x 12
WT1035-M1015.F1012	35	M10 x 15	M10 x 12
WT0840-M0815.F0812	40	M08 x 15	M08 x 12
WT1040-M1015.F1012	40	M10 x 15	M10 x 12
WT1050-M1020.F1017	50	M10 x 20	M10 x 17

<b>WT Male Male Series</b>			
Product Code	Dimensions		
	H	P1	P2
	(mm)		
WT0515-M0506.M0506	15	M05 x 06	M05 x 06
WT0626-M0610.M0610	26	M06 x 10	M06 x 10
WT0630-M0610.M0610	30	M06 x 10	M06 x 10
WT0830-M0810.M0810	30	M08 x 10	M08 x 10
WT0835-M0815.M0815	35	M08 x 15	M08 x 15
WT0635-M0615.M0615	35	M06 x 15	M06 x 15
WT0835-M0815.M0815	35	M08 x 15	M08 x 15
WT1035-M1015.M1015	35	M10 x 15	M10 x 15
WT0840-M0815.M0815	40	M08 x 15	M08 x 15
WT1040-M1015.M1015	40	M10 x 15	M10 x 15

- All Dimensions are in mm only.
- Tolerance is applicable as per DIN Standard 2768.

----- *Global Commitment*