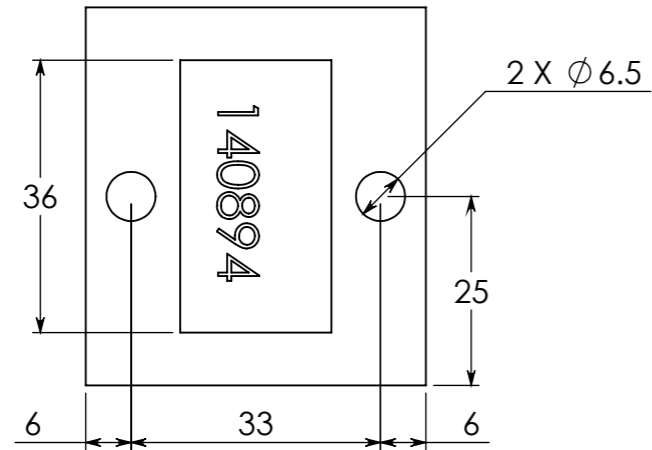
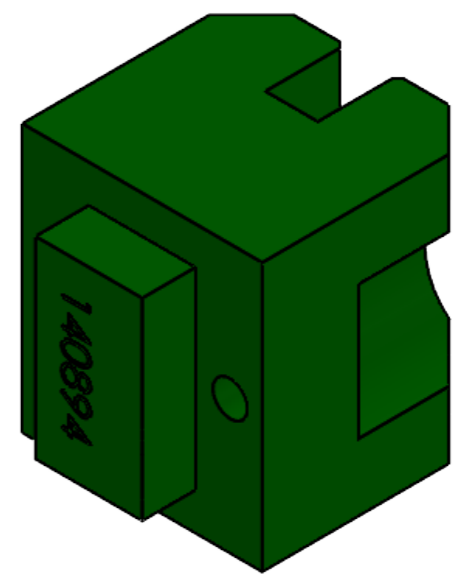
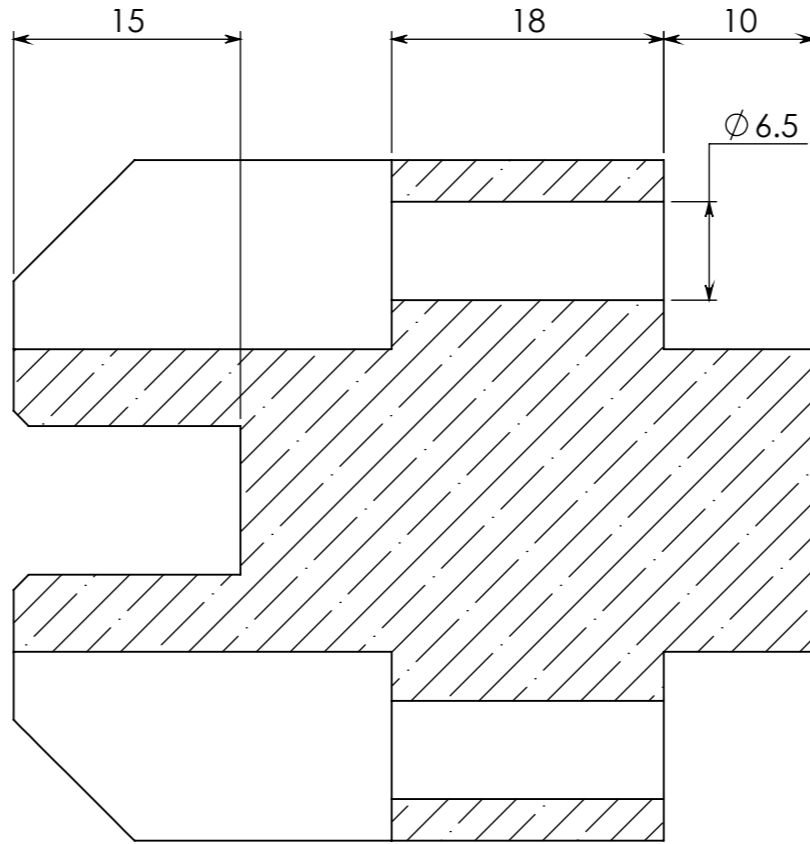
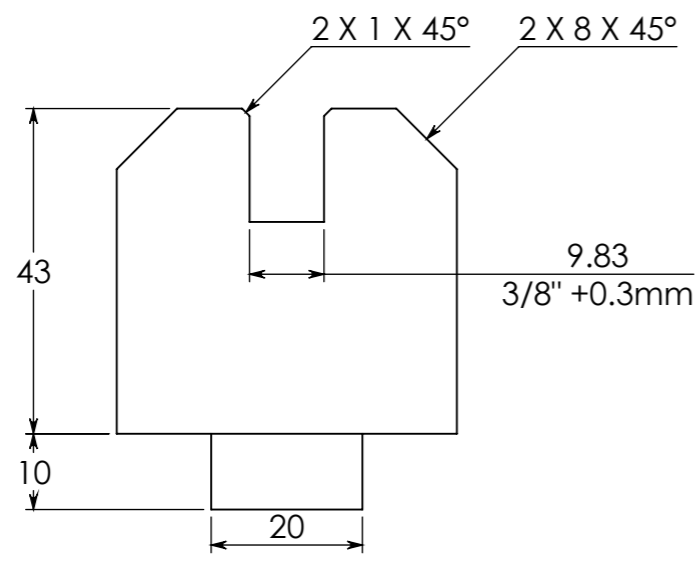
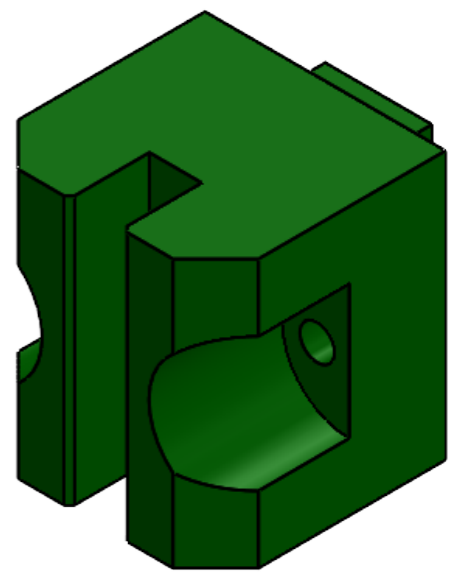
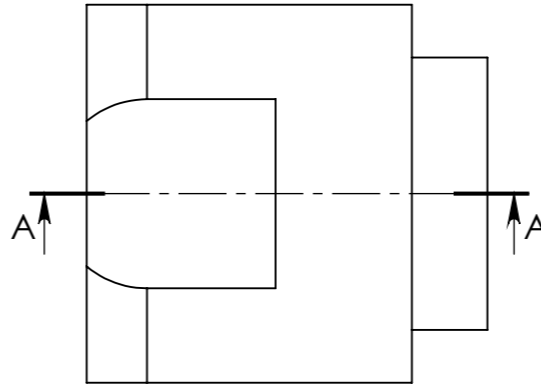
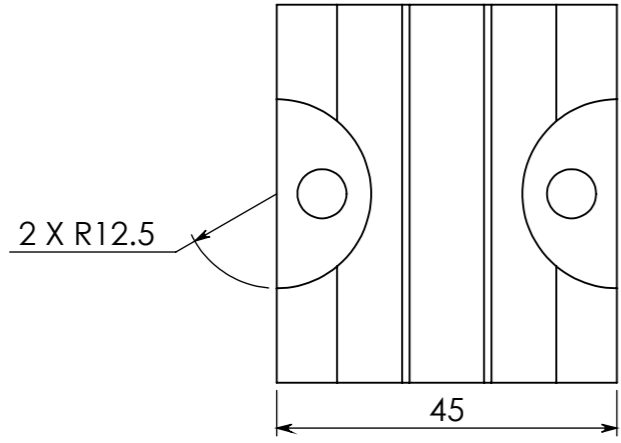


Dim A	Dim B	StockSize	Material
45	50	53	PD20:- Unsaturated Polyester (UP), Dough Moulding Comp (DMC), GREEN, UL94 V-0

- \*\*NOTE\*\*:-**
- UL RATED INSULATOR
  - COLOUR:- GREEN



SECTION A-A  
SCALE 2 : 1

REVISION:	REVISION DESCRIPTION:	DATE:
00.A	Initial Release	27.02.2023
		<b>IF IN DOUBT ASK</b> NOT TO SCALE ALL DIMENSIONS IN MILLIMETERS <small>THIS DRAWING IS THE PROPERTY OF HANLEY ENERGY LTD. YOU MAY NOT REPRODUCE, COPY OR DISCLOSE THIS DRAWING TO ANY PERSON WITHOUT PERMISSION. NEITHER EXPRESS NOR POSSESSION OF THIS DOCUMENT ALONE, FROM ANY SOURCE, CONSTITUTES SUCH PERMISSION AND FAILURE TO COMPLY MAY RESULT IN CRIMINAL AND/OR CIVIL LIABILITY.</small>
DRAWING NO:		DESCRIPTION:
140894		HSU.IR.10 [3/8]
Sheet 1 of 1	MASS: 0.15kg	General Scale: 1:1 A3
DRAWN BY:	DRAWN DATE:	STATUS:
StephenK	27.02.2023	Approved
APPROVED BY:	APPROVED DATE:	
John	27.04.2023	

• 3D MODEL AVAILABLE ON REQUEST

TOLERANCE:  
ISO 2768-MK  
(Part tol.)