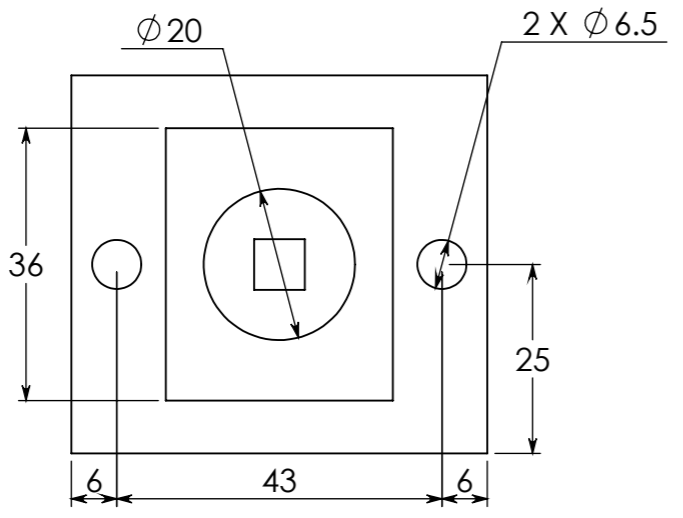
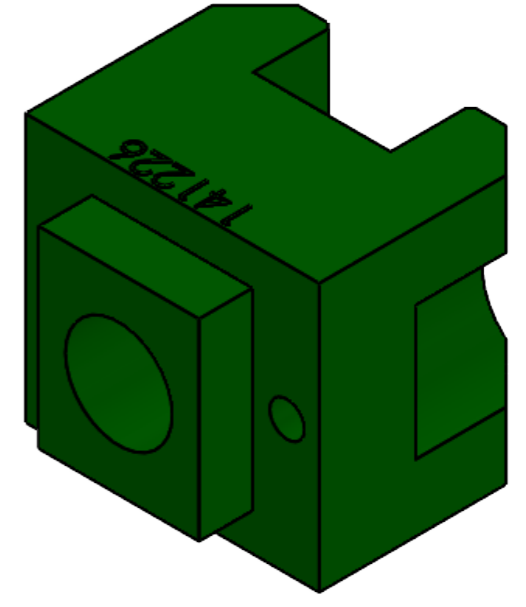
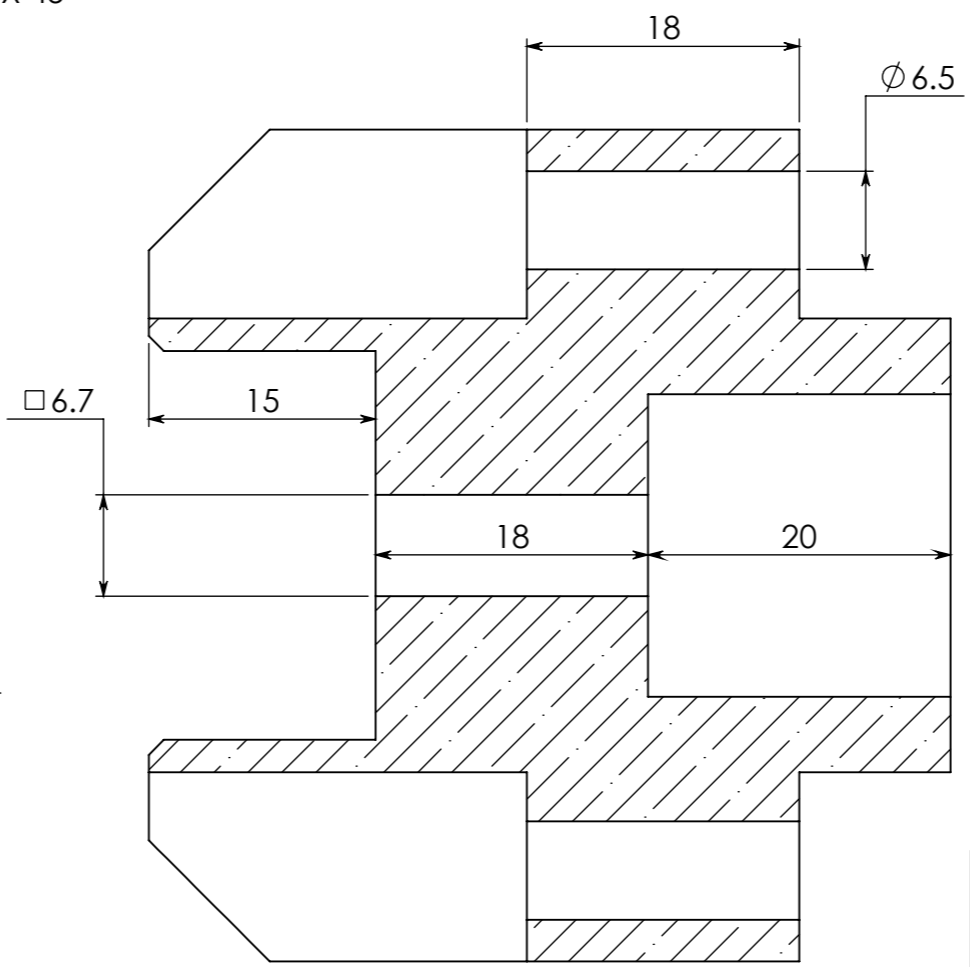
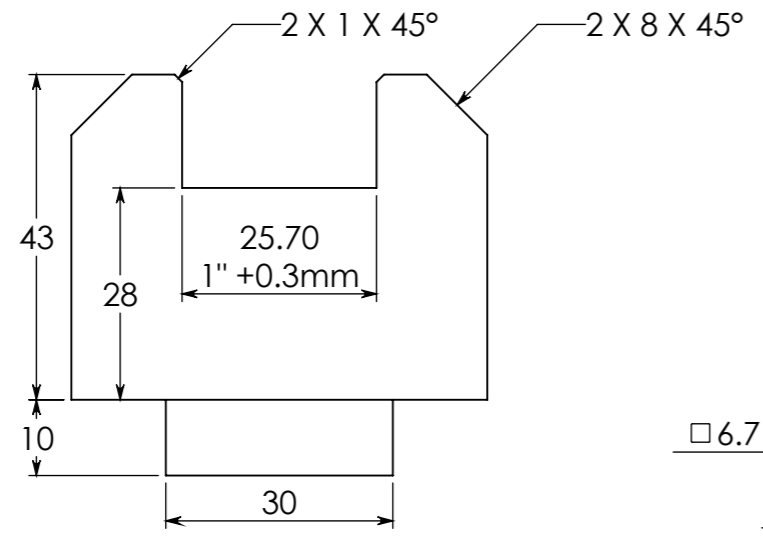
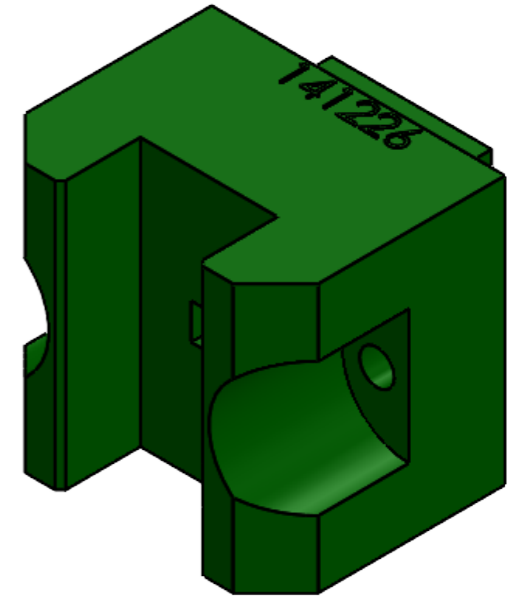
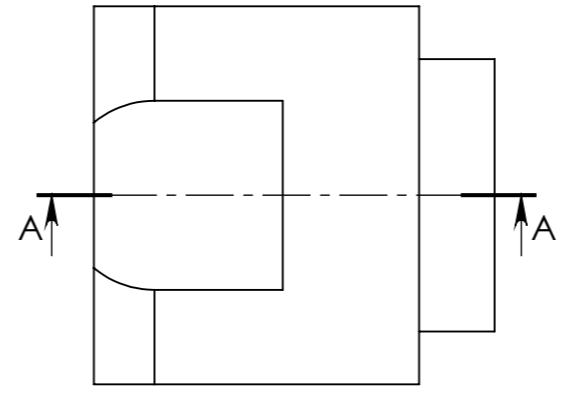
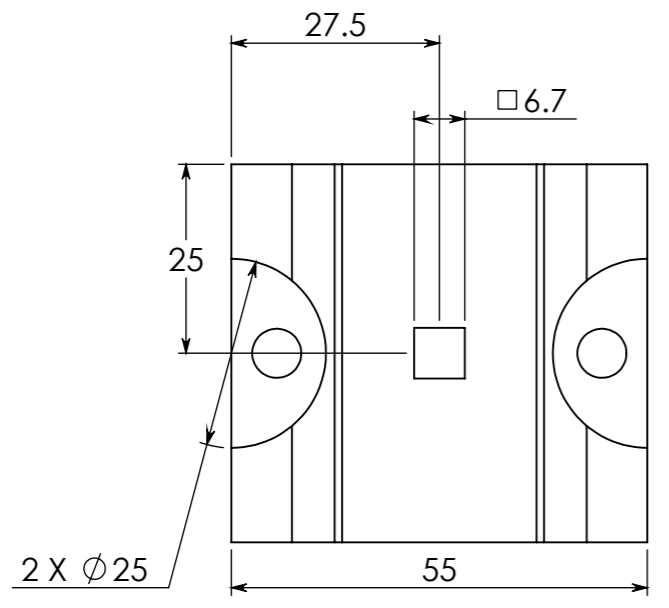


Dim A	Dim B	StockSize	Material
55	50	53	PD20:- Unsaturated Polyester (UP), Dough Moulding Comp (DMC), GREEN, UL94 V-0

- \*\*NOTE\*\*:-**
- UL RATED INSULATOR
  - COLOUR:- GREEN



SECTION A-A  
SCALE 2 : 1

• 3D MODEL AVAILABLE ON REQUEST

TOLERANCE:  
ISO 2768-MK  
(Part tol.)

REVISION:	REVISION DESCRIPTION:	DATE:
00.A	Initial Release	06.04.2023
		<b>IF IN DOUBT ASK</b> NOT TO SCALE ALL DIMENSIONS IN MILLIMETERS <small>THIS DRAWING IS THE PROPERTY OF HANLEY ENERGY LTD. YOU MAY NOT REPRODUCE, COPY OR DISCLOSE THIS DRAWING OR ANY FIGURES WITHOUT PERMISSION. NEITHER REUSE NOR POSSESSION OF THIS DOCUMENT ALONE FROM ANY SOURCE CONSTITUTES SUCH PERMISSION AND FAILURE TO COMPLY MAY RESULT IN CRIMINAL AND/OR CIVIL LIABILITY.</small>
DRAWING NO:		DESCRIPTION:
141226		HSU.IR.26 [1]
Sheet 1 of 1	MASS: 0.16kg	General Scale: 1:1 A3
DRAWN BY:	DRAWN DATE:	STATUS:
StephenK	06.04.2023	Approved
APPROVED BY:	APPROVED DATE:	
John	27.04.2023	