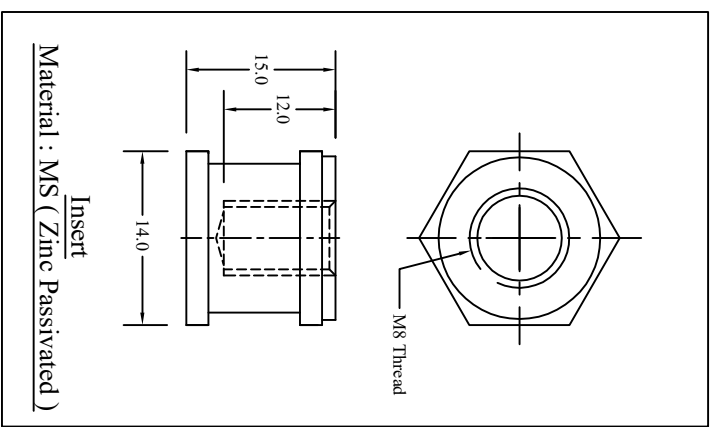
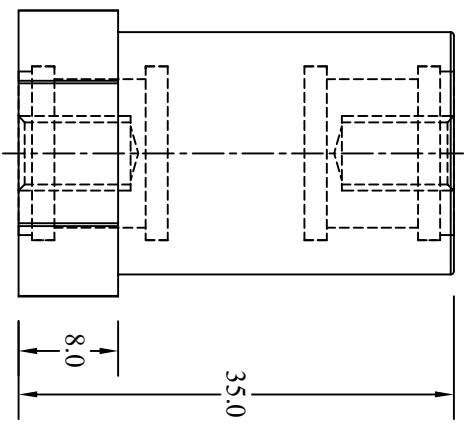
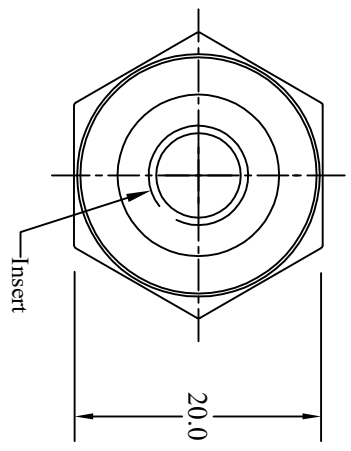


Technical Specification

- a.) Cantilever Strength (Kgf) : 120
- b.) Pulling Strength (Kgf) : 500
- c.) Maximum Torque (Kgf-cm) : 120
- d.) Compressive Str.(Kgf) : 2400
- e.) Breakdown Voltage (KV) : 30
- f.) IR Value (x 10⁶ MΩ) : 10
- g.) Nominal Voltage (AC/DC) Volts : 1400 / 1900

Note:

All above tests are based on the testing of the products produced from the standard formulation compounded material. As compound is heterogeneous therefore the above values may differ by ±5%.



POWERMAT		TITLE		Standard/Insulator - Round/Flat Support	REV. NO.	DATE	AMMENDMENTS
PART CODE		20RH 835 (M8)		CUSTOMER			
MATERIAL		Dough Moulding Compound		CUST. CODE			
COLOUR		Red		DATE	31-12-2016		
DWG. NO.				DRAWN BY	R.KAPOOR		
SCALE				APPROVED BY	K.S.B.		
N.T.S.				SPECIAL INSTRUCTIONS:			
POWERGAM ELECTRICALS (P) LTD.		GEN. TOL. CHART (as per DIN ISO 2768)		In. DIM In mm	Injection Moulding Part	Comp. Moulding Part	Metal Part
ADDRESS: 2008 & 503/1600/compny		6 to 30		± 0.2 mm	± 0.3 mm	± 0.8 mm	± 0.2mm
F-9, SHOPPING CENTER - I		30 to 120		± 0.3 mm	± 0.8 mm	± 0.8 mm	± 0.3mm
MANSAROVER GARDEN		120 to 400		± 1.2 mm	± 1.3 mm	± 1.3 mm	± 0.5mm
NR. OBG BANK		400 to 1000		± 2.0 mm	± 2.5 mm	± 2.5 mm	± 0.8mm
Ph. No. : 011-25462125							
http://www.powermatindia.com							

Note :
1. All Dimensions are in mm only unfill unless specified.
2. Tolerances are applicable as per Attached DIN std.

DOUGH MOULDING COMPOUND PROPERTIES (Robs & Reach Compliance Material)				
PROPERTIES	Units	Test Methods	Values	Testing Plan
Specific Gravity	-	ASTM D-792	1.9	Own Test Lab
Glass Contents	%	N/A	20	Additive
Water Absorptions(24 Hrs)	%	ASTM D-570	0.15	Own Test Lab
Tensile Strength	Kg/cm ²	ASTM D-638	400	Own Test Lab
Flexural Strength	Kg/cm ²	ASTM D-790	900	Own Test Lab
Impact Strength IZOD	J/m	ASTM D-256	250	Own Test Lab
Compressive Strength	Kg/cm ²	ASTM D-695	1500	Own Test Lab
Dielectric Strength	KV/min	ASTM D1149	10	Own Test Lab /UL
Compressive Tracking Index	Volts	BS-5901	>600	Own Test Lab /UL
Arc Resistance	Sec.	ASTM D-495	180	Own Test Lab / UL
Flammability Index	UL-94	UL-94	V-0	Own Test Lab /UL
GWIT / (Thickness 3mm)	°C	IEC-60695-2-13	960	Own Test Lab /UL
Hot Wire Ignition	Sec.	ASTM D-3874	>120	Own Test Lab /UL
RTI Str. (Thickness 3 mm)	°C	UL-746B	130	UL
RTI Elec. (Thickness 3mm)	°C	UL-746B	105	UL
HVTR	mm/min	UL-746A	0 Through 10	UL
High Amp Arc Ignition	mean no of arcs	UL-746A	>120	UL
Material Group	-	IEC-60112	1	Based On CTT
Pollution Degree	-	IEC-60950	3	Based On Std.
Insulation Class	-	IEC 3403	B	Based On Std.
Working Temperature	°C	-	(+40 to 130	Genetic Prop./UL
UL File No. - E249670				