

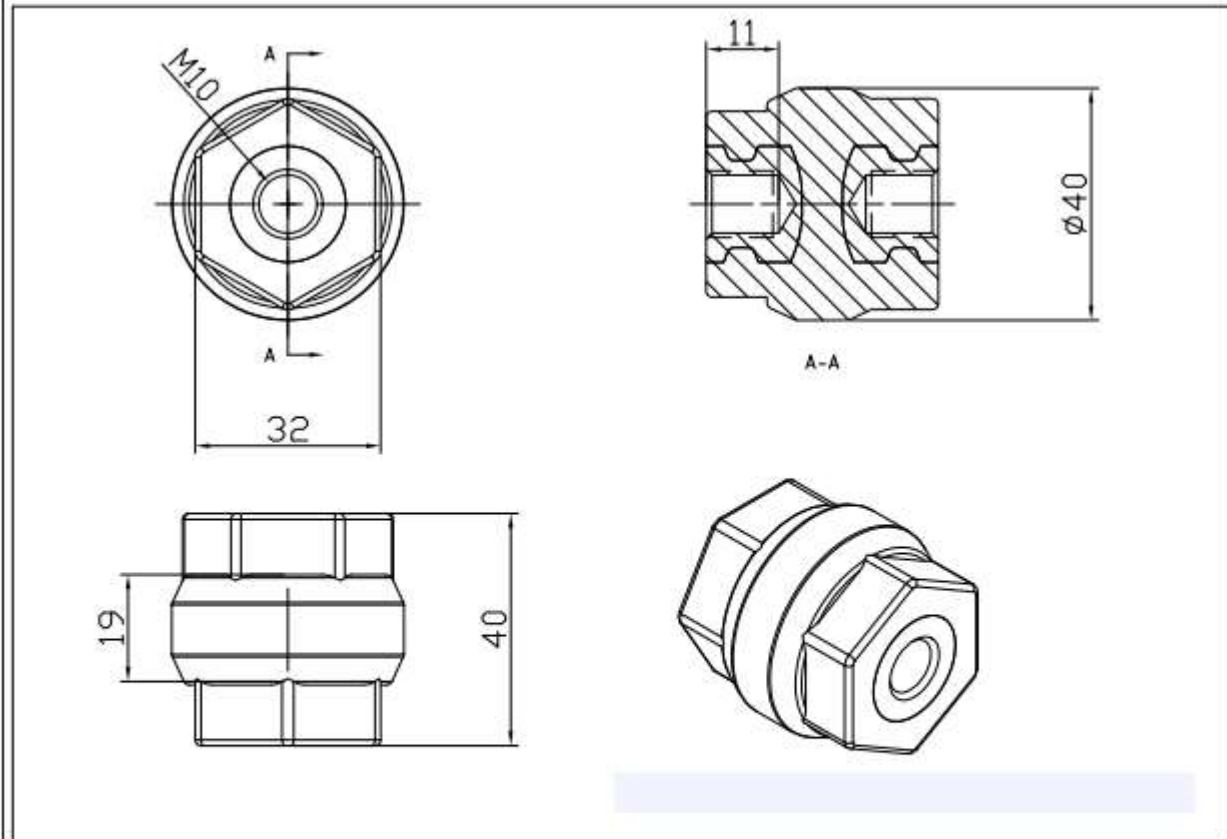
From: DEEPAK KM [NTL-SCM] <deepak.km@nashtechlabs.com>
Sent: Friday, February 16, 2024 3:50 PM
To: Powermat <powermat@powermatindia.com>
Cc: VAIDYANATHAN K [NTL] <vaidyanathan.k@nashtechlabs.com>
Subject: LV POST INSULATOR - Nash Industries
Importance: High

Hello Sir / Madam,
 Greetings from NASH Group.

We have requirement of "LV POST INSULATOR" for our product, Kindly confirm availability, cost, data sheet and distributor in **India** for the same.

Quantity : 35,000 Nos

Component Specification:



TECHNICAL DATA				REFERENCE STANDARDS	NOTE
MATERIAL	EP UL94V0	INSERT MATERIAL	AVP	IEC 660-1979	
MAX OP. VOLTAGE	2 kV			UNI 5307	
LIGHTN. INP. VOLTAGE	12 kV			DIN 53452	
MAX TENSILE STRESS	12 kN			DIN 53455	
BENDING STRESS	7 kN				
COLOR	RAL 9005				

We wish to introduce ourselves as follows:

- Established in the year 1971, NASH group has evolved into a strong manufacturing solutions provider with capabilities of Design, Precision Sheet Metal Stamping, Fabrication and Assemblies.
- Nash's R&D Division started in the year 2016 has been focusing on different verticals of product lines, like Payment Solutions, Power Electronics, Robotics, Industrial Automation and IOT.
- Nash is now concentrating on solutions for BLDC Controller Assembly (for Ceiling Fans, Air Conditioning Unit, Washing Machine etc), DC-DC Converters & Charges for EV applications, and VAVE solutions.
- R&D division employs 90+ Engineers in their activities now.
- Nash is associating with Customers for design, manufacture & assembling industrial products & solutions, continuously moving up the value chain, by adopting innovative, state of art of manufacturing technologies, systems & processes, which are cost effective & functional.
- Nash focuses on concept to product development and on providing solutions. The great strength is, Nash has its own manufacturing facility located in different location in Bangalore.
- Nash has set up the installation of new brand line for PCB Assembly & Cable Harness Assembly as well as Box Building set up.
- To know more about us, kindly visit our website www.nashtechlabs.com or www.nashindia.com and go through our Profile attached.



Deepak K M

SCM – Lead Engineer
Nash Industries (I) Pvt. Ltd.-NASH TECH LABS,

M: +91-9611911208

E: deepak.km@nashtechlabs.com

A: M. Lingaya (M L) Chambers,
115/3, 6th main Yeshwanthpur Suburb II Stage,
Opp to Peenya Metro station,
Peenya, Bengaluru, Karnataka 560022

www.nashtechlabs.com

Note : " We Never inform change of Bank details by email. If you receive any such emails from our domain/users. Please don't respond, and co