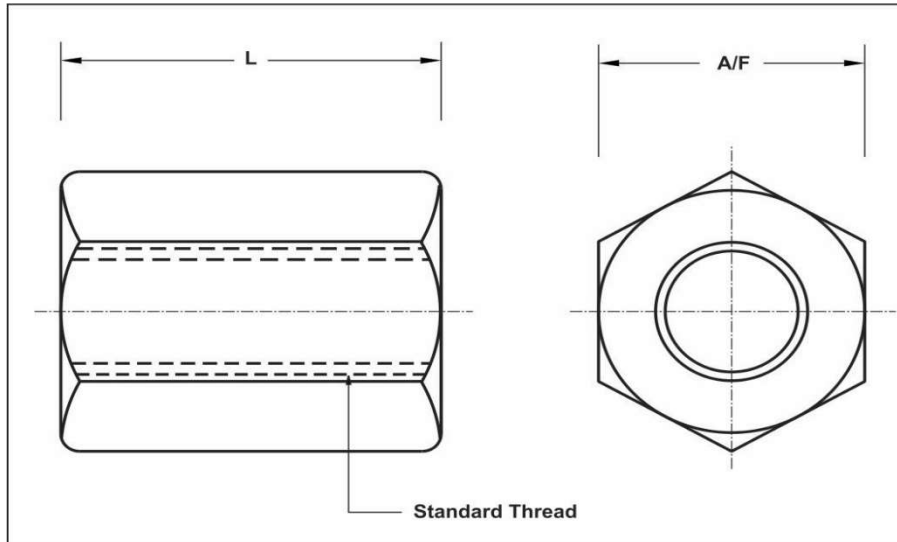


Full Internal Thread Type (PTS Series)



POWERMAT code			
POWERMAT code	Dimension		
	Thread	L	A / F
SPACER FOR M 2.5	M 2.5		
PTS/M2.5/AF5/L3	M 2.5	3	5
PTS/M2.5/AF5/L4	M 2.5	4	5
PTS/M2.5/AF5/L5	M 2.5	5	5
PTS/M2.5/AF5/L6	M 2.5	6	5
PTS/M2.5/AF5/L7	M 2.5	7	5
PTS/M2.5/AF5/L8	M 2.5	8	5
PTS/M2.5/AF5/L9	M 2.5	9	5
PTS/M2.5/AF5/L10	M 2.5	10	5
PTS/M2.5/AF5/L11	M 2.5	11	5
PTS/M2.5/AF5/L12	M 2.5	12	5
PTS/M2.5/AF5/L13	M 2.5	13	5
PTS/M2.5/AF5/L14	M 2.5	14	5
PTS/M2.5/AF5/L15	M 2.5	15	5

POWERMAT code			
POWERMAT code	Dimension		
	Thread	L	A / F
SPACER FOR M 3	M 3		
PTS/M3/AF5/L3	M 3	3	5
PTS/M3/AF5/L4	M 3	4	5
PTS/M3/AF5/L5	M 3	5	5
PTS/M3/AF5/L6	M 3	6	5
PTS/M3/AF5/L7	M 3	7	5
PTS/M3/AF5/L8	M 3	8	5
PTS/M3/AF5/L9	M 3	9	5
PTS/M3/AF5/L10	M 3	10	5
PTS/M3/AF5/L11	M 3	11	5
PTS/M3/AF5/L12	M 3	12	5
PTS/M3/AF5/L13	M 3	13	5
PTS/M3/AF5/L14	M 3	14	5
PTS/M3/AF5/L15	M 3	15	5

POWERMAT code	Dimension		
	Thread	L	A / F
SPACER FOR M4			
PTS/M4/AF7/L3	M 4	3	7
PTS/M4/AF7/L4	M 4	4	7
PTS/M4/AF7/L5	M 4	5	7
PTS/M4/AF7/L6	M 4	6	7
PTS/M4/AF7/L7	M 4	7	7
PTS/M4/AF7/L8	M 4	8	7
PTS/M4/AF7/L9	M 4	9	7
PTS/M4/AF7/L10	M 4	10	7
PTS/M4/AF7/L11	M 4	11	7
PTS/M4/AF7/L12	M 4	12	7
PTS/M4/AF7/L13	M 4	13	7
PTS/M4/AF7/L14	M 4	14	7
PTS/M4/AF7/L15	M 4	15	7

- All Dimensions are in mm only.
- Tolerance is applicable as per DIN Standard 2768.

-----*Global Commitment*