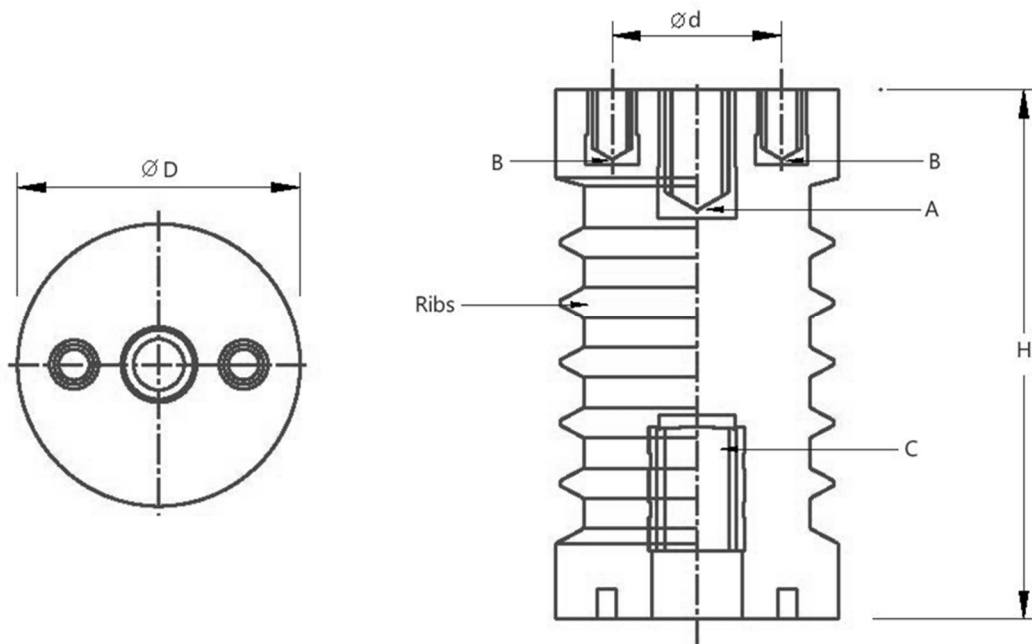


Epoxy Based Medium Voltage Insulators

We offer wide range of Medium Voltage standoff insulators for Indoor Application & available in both Metric & UNC Threads, in variety of heights & different types of insert materials.

Our Insulators are manufactured and tested as per IS/BS/IEC and other international standards to suit various testing requirements in range of 3.3 kV to 66 KV system voltage.



Part Code	Height (mm)	Voltage Rating (KV)	Ribs	Creepage (mm)	Ø D(mm)	Ø d (mm)	Inserts		
							A	B	C
EMV-70112	112	12	4	230	40	-	M10 X 35 Lg	-	M10 X 35 Lg
EMV-63130_7R	130	12	7	269	63	36	M10 X 20 Lg	M06 X 15 Lg	M16 X 35 Lg
EMV-63130	130	12	5	215	63	36	M12 X 25 Lg	M06 X 15 Lg	M16 X 35 Lg
EMV-72130	130	12	7	260	72	-	M12 X 30 Lg	M06 X 15 Lg	M10 X 30 Lg
EMV-77130	130	12	5	240	50	25	M16 X 35 Lg	M10 X 20 Lg	M20 X 35 Lg
EMV-73210	210	22	9	400	73	36	M10 X 25 Lg	M08 X 15 Lg	M16 X 55 Lg
EMV-97224	224	22	10	721	97	-	M12 X 50 Lg	-	M12 X 50 Lg
EMV-83300	300	33	12	90	60/65	36	M10 X 25 Lg	M06 X 15 Lg	M16 X 75 Lg
EMV-98300	300	33	12	90	85/90	60	M10 X 25 Lg	M16 X 35 Lg	M22 X 65 Lg

- All Dimensions are in mm only.
- Tolerance is applicable as per DIN Standard 2768.

-----*Global Commitment*