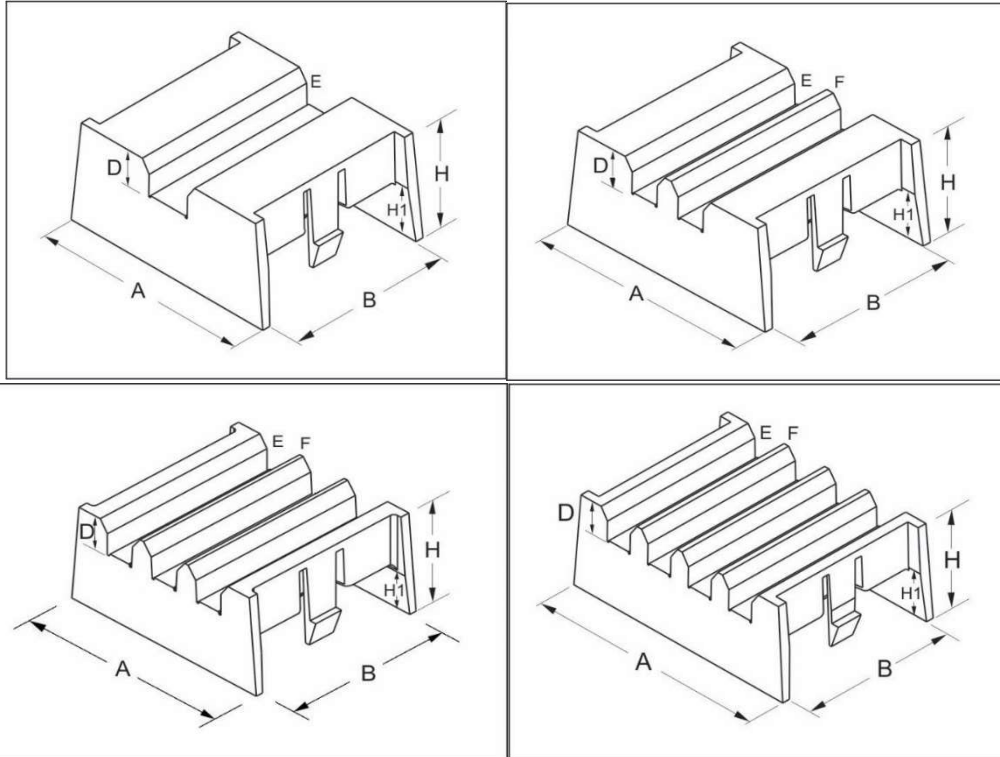


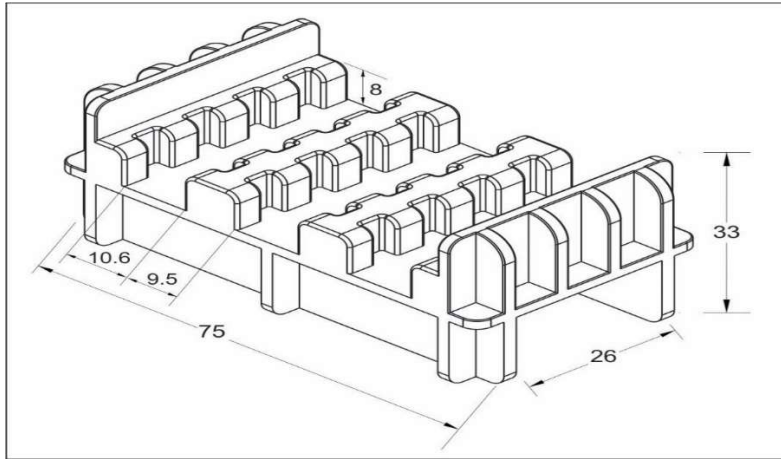
## Polyamide Grip type Busbar Supports

Polyamide Grip type Busbar Support offers hardware free solution for higher short circuit rating and can hold Single Run to Multiple Runs of 6.0mm, 10mm & 12mm Busbars.

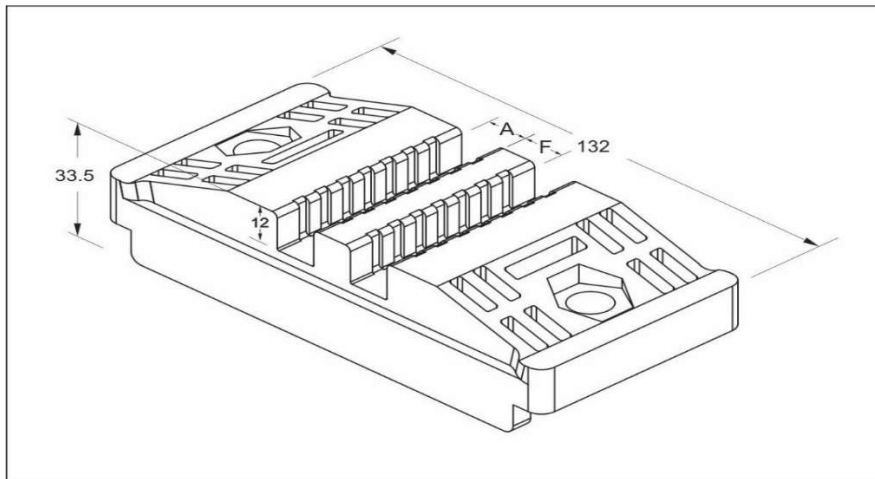
- Glow Wire Test - 960 °C
- Self-Extinguishing, UL 94 V0 Rated
- Halogen Free
- Operating Temperature range from (-) 40°C to 130°C.



Busbar Details	POWERMAT Code	Dimension				
		A	B	C	D	E
10mm x 1 run	PAGP 110	54	38	20	11	-
12mm x 1 run	PAGP 112	54	38	20	13.7	-
6mm x 2 run	PAGP 207	54	38	20	7.0	5.8
10mm x 2 run	PAGP 210	54	38	20	11	9.0
12mm x 2 run	PAGP 212					
6mm x 3 run	PAGP 307	54	38	20	7.0	5.8
10mm x 3 run	PAGP 310	72	41	30	11	9.0
6mm x 4 run	PAGP 407	64	38	30	7.0	5.4
10mm x 4 run	PAGP 410	92	41	30.30	11	9
5mm x 5 run	PAGP 505	76	41	19.19	5.3	4.7
6mm x 5 run	PAGP 507	54	38	20	6.7	6.3
10mm x 5 run	PAGP 510	54	38	20	11.4	9.0



Busbar Details	POWERMAT Code	Dimension				
		A	B	C	D	E
10mm x 2 run	75PAGP 210	60	26	35	10.6	9.5
10mm x 3 run	75PAGP 310	75	26	35	10.3	9.7
10mm x 4 run	75PAGP 410	95	26	35	10.6	9.5
5mm x 6 run	75PAGP 605	75	26	35	4.7	5.3



Busbar Details	POWERMAT Code	Dimension				
		A	B	C	D	E
10mm x 2 run	132PAGP 210	132	51	100	11	9
12mm x 2 run	132PAGP 212	132	51	100	13.7	11

- All Dimensions are in mm only.
- Tolerance is applicable as per DIN Standard 2768.

----- *Global Commitment*