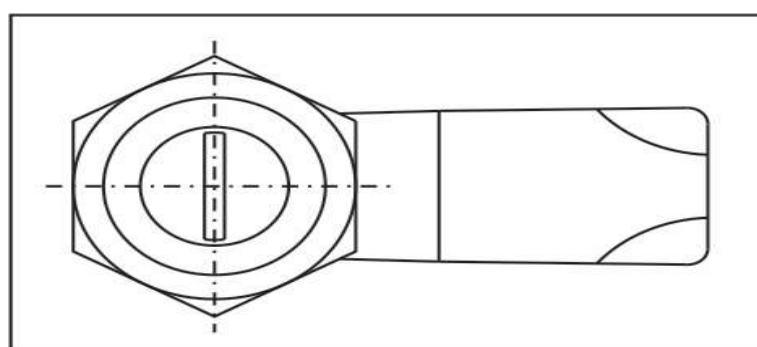
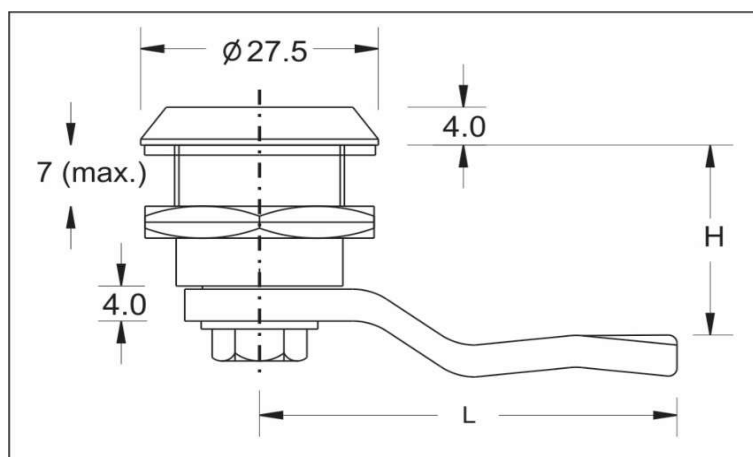


Polyamide Locks for Panel Board

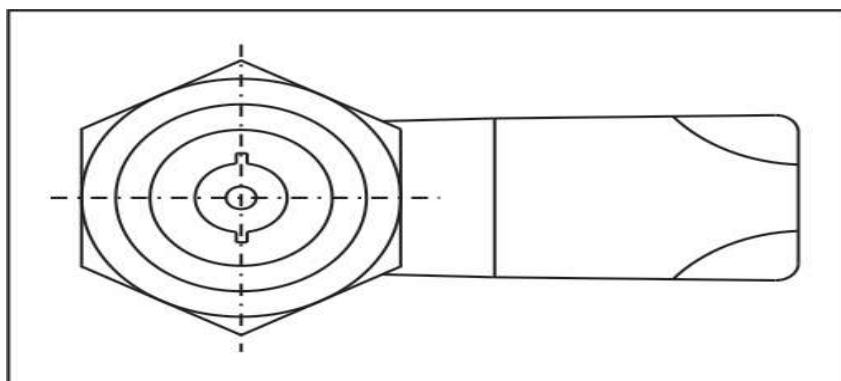
POWERMAT offers wide range of Polyamide Locks for Panel Board and are tested on IP-65 rating as per Standard IEC – 60529:1989.

Technical Specification:

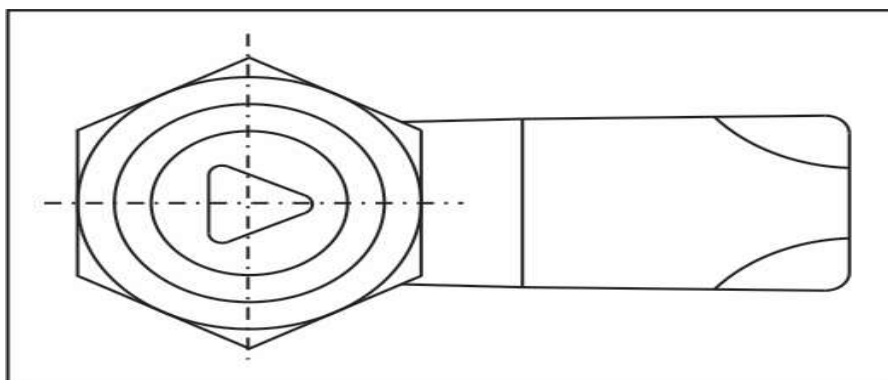
- Material: Polyamide 6,6



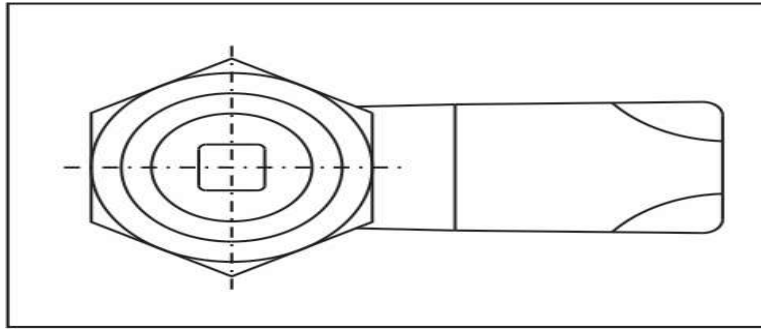
POWERMAT code	Dimensions	
	H	L
PA 101-12045	20	45
PA 101-12545	25	45
PA 101-13045	30	45
PA 101-13545	35	45
PA 101-14045	40	45
PA 101-14545	45	45
PA 101-15045	50	45
PA 101-15545	55	45



POWERMAT code	Dimensions	
	H	L
PA 101-22045	20	45
PA 101-22545	25	45
PA 101-23045	30	45
PA 101-23545	35	45
PA 101-24045	40	45
PA 101-24545	45	45
PA 101-25045	50	45
PA 101-25545	55	45



POWERMAT code	Dimensions	
	H	L
PA 101-32045	20	45
PA 101-32545	25	45
PA 101-33045	30	45
PA 101-33545	35	45
PA 101-34045	40	45
PA 101-34545	45	45
PA 101-35045	50	45
PA 101-35545	55	45



POWERMAT code	Dimensions	
	H	L
PA 101-42045	20	45
PA 101-42545	25	45
PA 101-43045	30	45
PA 101-43545	35	45
PA 101-44045	40	45
PA 101-44545	45	45
PA 101-45045	50	45
PA 101-45545	55	45

- All Dimensions are in mm only.
- Tolerance is applicable as per DIN Standard 2768.