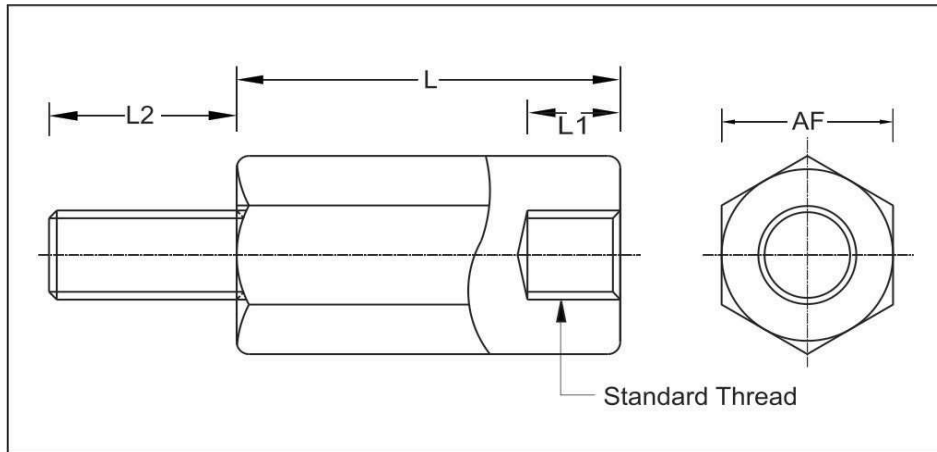


## Male Female Type ( PMFP Series )



POWERMAT code	Dimension				
	Thread	L	A/F	L 1	L 2
SPACER FOR M2.5	M 2.5	10	5	6	6
PMFP/M2.5/AF5/L10	M 2.5	12	5	6	6
PMFP/M2.5/AF5/L12	M 2.5	15	5	6	6
PMFP/M2.5/AF5/L15	M 2.5	18	5	6	6
PMFP/M2.5/AF5/L18	M 2.5	20	5	6	6
PMFP/M2.5/AF5/L20	M 2.5	25	5	6	6
PMFP/M2.5/AF5/L25	M 2.5	30	5	6	6
PMFP/M2.5/AF5/L30	M 2.5	35	5	6	6
PMFP/M2.5/AF5/L35	M 2.5	40	5	6	6
PMFP/M2.5/AF5/L40	M 2.5				

POWERMAT code	Dimension				
	Thread	L	A/F	L 1	L 2
SPACER FOR M3	M 3	10	5	8	6
PMFP/M3/AF5/L10	M 3	12	5	8	8
PMFP/M3/AF5/L12	M 3	15	5	10	8
PMFP/M3/AF5/L15	M 3	18	5	10	8
PMFP/M3/AF5/L18	M 3	20	5	10	8
PMFP/M3/AF5/L20	M 3	25	5	10	10
PMFP/M3/AF5/L25	M 3	30	5	10	10
PMFP/M3/AF5/L30	M 3	35	5	10	10
PMFP/M3/AF5/L35	M 3	40	5	10	10
PMFP/M3/AF5/L40	M 3	45	5	10	10
PMFP/M3/AF5/L45	M 3	50	5	10	10
PMFP/M3/AF5/L50	M 3	55	5	10	10
PMFP/M3/AF5/L55	M 3	60	5	10	10
PMFP/M3/AF5/L60	M 3				

POWERMAT code	Dimension				
	Thread	L	A/F	L 1	L 2
SPACER FOR M4					
PMFP/M4/AF7/L10	M 4	10	7	8	6
PMFP/M4/AF7/L12	M 4	12	7	8	8
PMFP/M4/AF7/L15	M 4	15	7	10	8
PMFP/M4/AF7/L18	M 4	18	7	10	8
PMFP/M4/AF7/L20	M 4	20	7	10	8
PMFP/M4/AF7/L25	M 4	25	7	10	10
PMFP/M4/AF7/L30	M 4	30	7	10	10
PMFP/M4/AF7/L35	M 4	35	7	10	10
PMFP/M4/AF7/L40	M 4	40	7	10	10
PMFP/M4/AF7/L45	M 4	45	7	10	10
PMFP/M4/AF7/L50	M 4	50	7	10	10
PMFP/M4/AF7/L55	M 4	55	7	10	10
PMFP/M4/AF7/L60	M 4	60	7	10	10

POWERMAT code	Dimension				
	Thread	L	A/F	L 1	L 2
SPACER FOR M5					
PMFP/M5/AF8/L10	M 5	10	8	8	8
PMFP/M5/AF8/L12	M 5	12	8	8	8
PMFP/M5/AF8/L15	M 5	15	8	10	8
PMFP/M5/AF8/L18	M 5	18	8	10	8
PMFP/M5/AF8/L20	M 5	20	8	10	8
PMFP/M5/AF8/L25	M 5	25	8	10	10
PMFP/M5/AF8/L30	M 5	30	8	10	10
PMFP/M5/AF8/L35	M 5	35	8	10	10
PMFP/M5/AF8/L40	M 5	40	8	10	10
PMFP/M5/AF8/L45	M 5	45	8	10	10
PMFP/M5/AF8/L50	M 5	50	8	10	10
PMFP/M5/AF8/L55	M 5	55	8	10	10
PMFP/M5/AF8/L60	M 5	60	8	10	10
PMFP/M5/AF8/L70	M 5	70	8	10	10
PMFP/M5/AF8/L80	M 5	80	8	10	10

POWERMAT code	Dimension				
	Thread	L	A/F	L 1	L 2
SPACER FOR M6					
PMFP/M6/AF10/L10	M 6	10	10	8	10
PMFP/M6/AF10/L12	M 6	12	10	8	10
PMFP/M6/AF10/L15	M 6	15	10	10	10
PMFP/M6/AF10/L18	M 6	18	10	10	10
PMFP/M6/AF10/L20	M 6	20	10	10	10
PMFP/M6/AF10/L25	M 6	25	10	10	10
PMFP/M6/AF10/L30	M 6	30	10	10	10
PMFP/M6/AF10/L35	M 6	35	10	10	10
PMFP/M6/AF10/L40	M 6	40	10	10	10
PMFP/M6/AF10/L45	M 6	45	10	10	10

PMFP/M6/AF10/L50	M 6	50	10	10	10
PMFP/M6/AF10/L55	M 6	55	10	10	10
PMFP/M6/AF10/L60	M 6	60	10	10	10
PMFP/M6/AF10/L70	M 6	70	10	10	10
PMFP/M6/AF10/L80	M 6	80	10	10	10
PMFP/M6/AF10/L100	M 6	100	10	10	10

- All Dimensions are in mm only.
- Tolerance is applicable as per DIN Standard 2768.