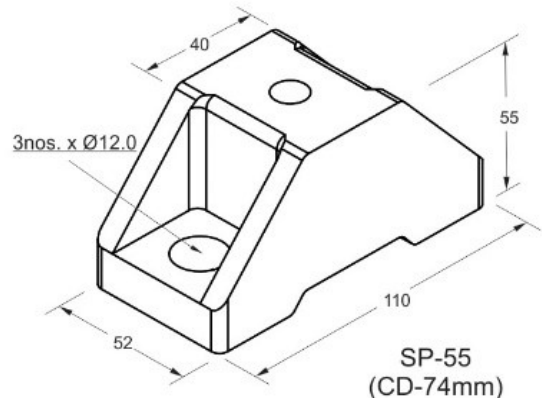
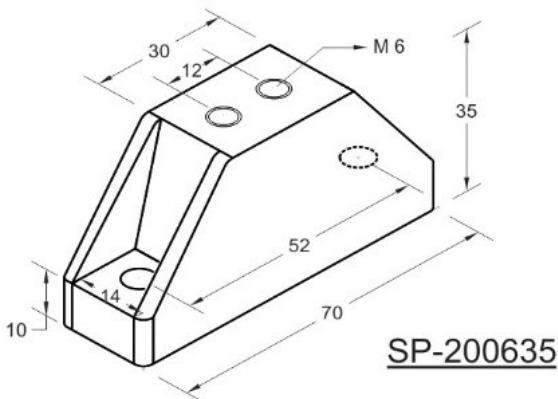
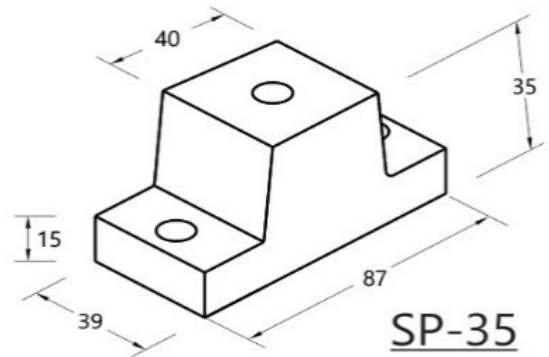
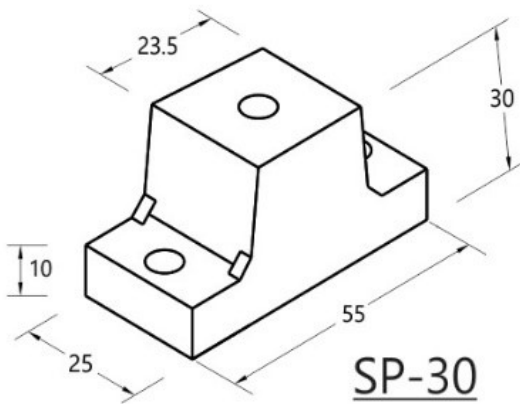


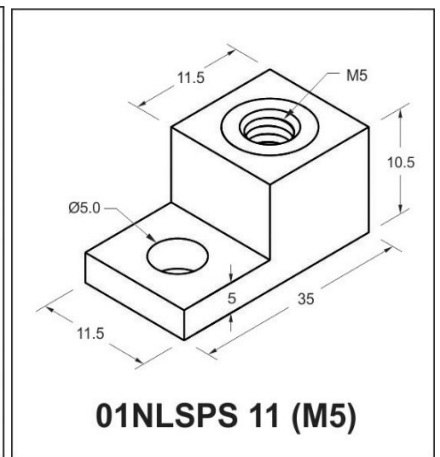
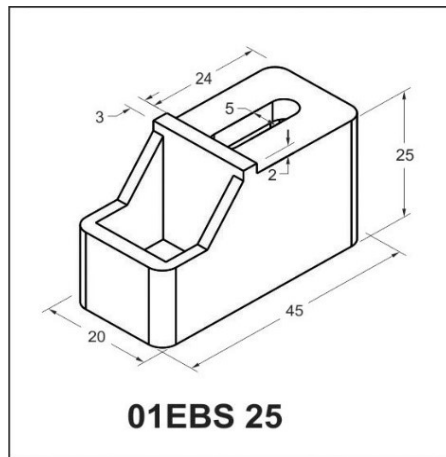
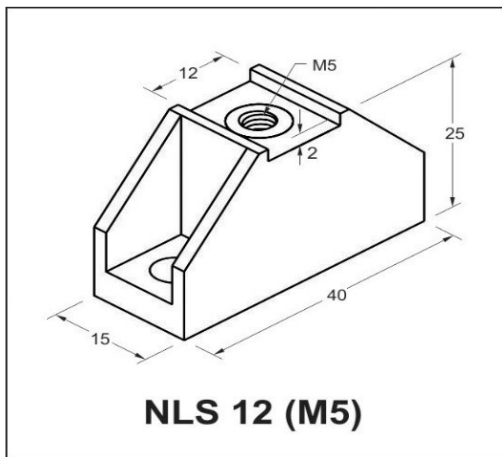
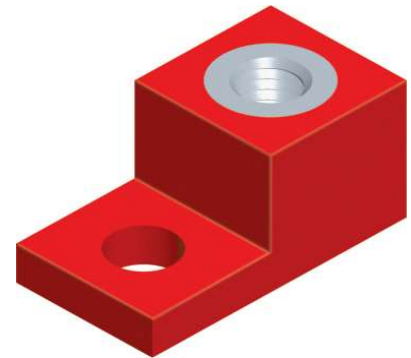
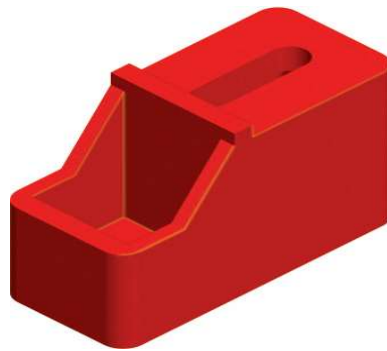
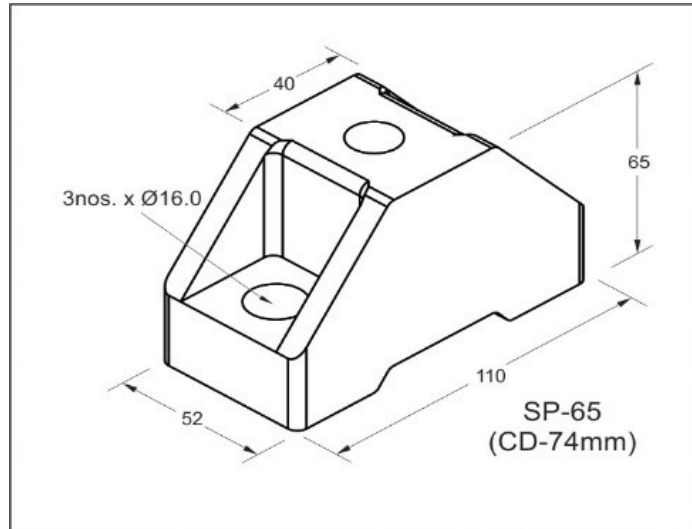
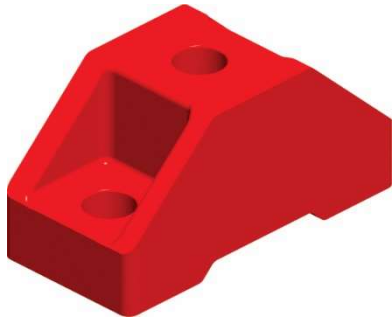
Support for Horizontal Busbars

These type of Busbar supports not only used for holding the busbars but also use to hold Brass terminal bars. It offers versatile solution for holding of different busbars width & thickness.

Our Busbar Supports are moulded from a flame retardant and track resistance glass reinforced Thermoset Polyester compound recognized to use for current carrying devices under UL Material Recognition No. E249670.

- Glow Wire Test - 960 °C
- Self-Extinguishing, UL 94 V0 Rated
- Non-Hygroscopic Material
- Halogen Free
- Operating Temperature range from (-) 40°C to 130°C.





- All Dimensions are in mm only.
- Tolerance is applicable as per DIN Standard 2768.

----- *Global Commitment*